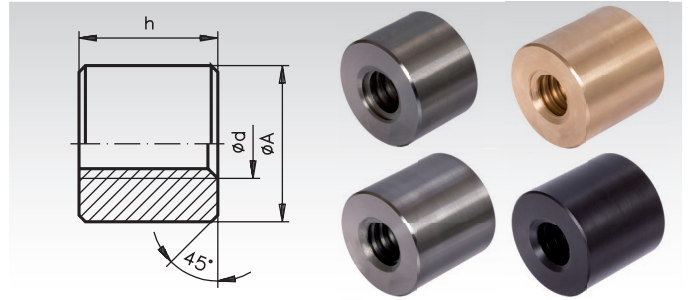


## Round Nuts with Metric ISO-Trapezoidal Thread DIN 103, Single-Thread

**Material:** Steel C35Pb.  
Stainless steel 1.4305.  
Red brass Rg7 (CuSn7Zn4Pb7-C).  
Plastic (PA6.6 with MoS2).



Ordering Details: e.g.: Product No. 643 010 00, Round Nut, Steel, Tr. 10 x 3, Single Thread Right Hand

### Single-Thread, Right Hand

Product No. Steel	Product No. Steel	Product No. Stainless Steel	Product No. Res Brass	Product No. Plastic	Trapezoidal Thread Ø d mm	DIN ISO 2768m h=1,5xd mm	DIN ISO 2768m h=2xd mm	DIN 668 ØA <sup>h11</sup> * mm	Weight Steel 1,5 x d kg	Weight Steel 2 x d kg	Weight Brass 2 x d kg	Weight Plastic 2 x d kg
h = 1,5 x d	h = 2 x d	h = 1,5 x d	h = 2 x d	h = 2 x d								
643 010 00	643 210 00	-	643 310 00	-	10 x 3**	15	20	22	0,04	0,06	0,06	-
643 012 00	643 212 00	643 990 12	643 312 00	643 412 00	12 x 3	18	24	26	0,06	0,08	0,1	0,02
643 014 00	643 214 00	-	643 314 00	-	14 x 4**	21	28	30	0,1	0,12	0,14	-
643 016 00	643 216 00	643 990 16	643 316 00	643 416 00	16 x 4	24	32	36	0,16	0,22	0,24	0,04
643 018 00	643 218 00	-	643 318 00	643 418 00	18 x 4	27	36	40	0,22	0,32	0,37	0,05
643 020 00	643 220 00	643 990 20	643 320 00	643 420 00	20 x 4	30	40	45	0,32	0,42	0,5	0,06
643 024 00	643 224 00	643 990 24	643 324 00	643 424 00	24 x 5	36	48	50	0,44	0,6	0,7	0,08
643 028 00	643 228 00	643 990 28	643 328 00	643 428 00	28 x 5	42	56	60	0,76	1,0	1,12	0,14
643 030 00	643 230 00	643 990 30	643 330 00	643 430 00	30 x 6	45	60	60	0,78	1,06	1,2	0,16
643 032 00	643 232 00	-	643 332 00	643 432 00	32 x 6	48	64	60	0,8	1,08	1,2	0,16
643 036 00	643 236 00	643 990 36	643 336 00	643 436 00	36 x 6	54	72	75	1,48	1,98	2,3	0,28
643 040 00	643 240 00	643 990 40	643 340 00	643 440 00	40 x 7	60	80	80	1,8	2,44	2,8	0,36
643 044 00	643 244 00	-	643 344 00	-	44 x 7	66	88	80	1,9	2,52	2,86	-
643 048 00	643 248 00	-	643 348 00	-	48 x 8	72	96	90	2,68	3,58	4,08	-
643 050 00	643 250 00	-	643 350 00	643 450 00	50 x 8	75	100	90	2,72	3,64	4,12	0,54
643 052 00	643 252 00	-	643 352 00	-	52 x 8	78	104	90	2,72	3,64	4,2	-
643 060 00	643 260 00	-	643 360 00	643 460 00	60 x 9	90	120	100	3,76	4,96	5,7	0,74
643 070 00	-	-	-	-	70 x 10	105	-	110	4,96	-	-	-

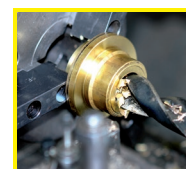
### Single-Thread, Left Hand

Product No. Steel	Product No. Steel	Product No. Stainless Steel	Product No. Res Brass	Product No. Plastic	Trapezoidal Thread Ø d mm	DIN ISO 2768m h=1,5xd mm	DIN ISO 2768m h=2xd mm	DIN 668 ØA <sup>h11</sup> * mm	Weight Steel 1,5 x d kg	Weight Steel 2 x d kg	Weight Brass 2 x d kg	Weight Plastic 2 x d kg
h = 1,5 x d	h = 2 x d	h = 1,5 x d	h = 2 x d	h = 2 x d								
643 510 00	643 710 00	-	643 810 00	-	10 x 3**	15	20	22	0,04	0,06	0,06	-
643 512 00	643 712 00	643 995 12	643 812 00	643 912 00	12 x 3	18	24	26	0,06	0,08	0,1	0,02
643 514 00	643 714 00	-	643 814 00	-	14 x 4**	21	28	30	0,1	0,12	0,14	-
643 516 00	643 716 00	643 995 16	643 816 00	643 916 00	16 x 4	24	32	36	0,16	0,22	0,24	0,04
643 518 00	643 718 00	-	643 818 00	643 918 00	18 x 4	27	36	40	0,24	0,32	0,37	0,05
643 520 00	643 720 00	643 995 20	643 820 00	643 920 00	20 x 4	30	40	45	0,32	0,42	0,5	0,06
643 524 00	643 724 00	643 995 24	643 824 00	643 924 00	24 x 5	36	48	50	0,44	0,6	0,7	0,08
643 528 00	643 728 00	-	643 828 00	643 928 00	28 x 5	42	56	60	0,76	1,0	1,12	0,14
643 530 00	643 730 00	643 995 30	643 830 00	643 930 00	30 x 6	45	60	60	0,78	1,06	1,2	0,16
643 532 00	643 732 00	-	643 832 00	643 932 00	32 x 6	48	64	60	0,8	1,08	1,2	0,16
643 536 00	643 736 00	-	643 836 00	643 936 00	36 x 6	54	72	75	1,48	1,98	2,3	0,28
643 540 00	643 740 00	643 995 40	643 840 00	643 940 00	40 x 7	60	80	80	1,8	2,44	2,8	0,36
643 544 00	643 744 00	-	643 844 00	-	44 x 7	66	88	80	1,9	2,52	2,86	-
643 548 00	643 748 00	-	643 848 00	-	48 x 8	72	96	90	2,68	3,58	4,08	-
643 550 00	643 750 00	-	643 850 00	643 950 00	50 x 8	75	100	90	2,72	3,64	4,12	0,54
643 552 00	643 752 00	-	643 852 00	-	52 x 8	78	104	90	2,72	3,64	4,2	-
643 560 00	643 760 00	-	643 860 00	643 960 00	60 x 9	90	120	100	3,76	4,96	5,7	0,74
643 570 00	-	-	-	-	70 x 10	105	-	110	4,96	-	-	-

Comparison of friction coefficients see page 445 bottom.

\* Tolerance h11 does not apply to plastic nuts.

\*\* Lead angle is not in accordance with DIN 103.



**Reworking within  
24h-service possible.  
Custom made parts  
on request.**