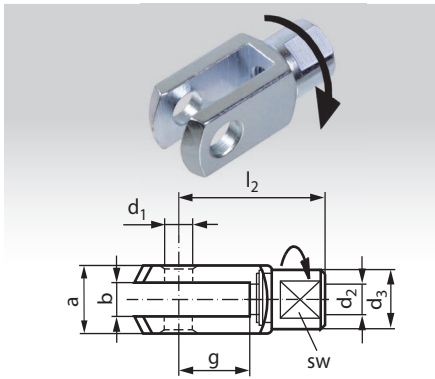
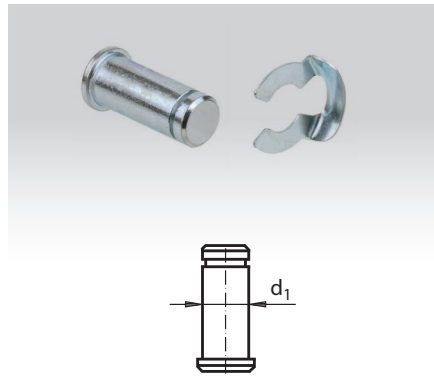


Clevises GD with Rotating Shaft



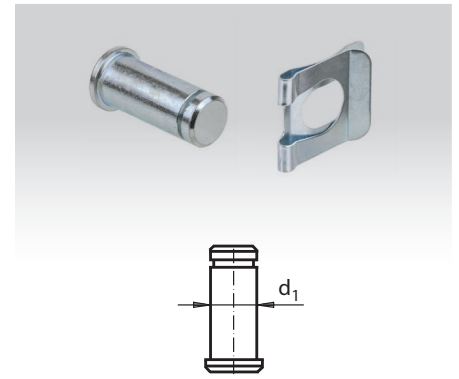
Material: Steel zinc-plated.
Clevis GD: like DIN 71752, but rotating.
 Ordering Details: e.g.: Product No. 637 552 03,
 Clevis GD 5 x 10 right

Bolt Sets KL, Steel



Material: Steel zinc-plated.
 Bolt with KL retainer.
 Ordering Details: e.g.: Product No. 637 801 00,
 Bolt Set with Retainer KL Size 4

Bolt Sets SL, Steel



Material: Steel zinc-plated.
 Bolt with SL retainer.
 Ordering Details: e.g.: Product No. 637 901 00,
 Bolt Set with Retainer SL Size 4

Product No. GD right	Product No. GD left	Product No. Bolt Set KL	Product No. Bolt Set SL	Size mm	a mm	b mm	d ₁ mm	d ₂ mm	d ₃ mm	g mm	l ₂ mm	sw mm	Weight		
													GD g	KL g	SL g
-	-	637 801 00	637 901 00	4 x 8	8	4	4	M4	-	8	16	-	6	1,0	1,3
-	-	637 801 00	637 901 00	4 x 16	8	4	4	M4	-	16	24	-	8	1,0	1,3
637 552 03	-	637 803 00	637 903 00	5 x 10	10	5	5	M5	9	10	20	7	10	2,8	3,0
637 552 04	-	637 803 00	637 903 00	5 x 20	10	5	5	M5	9	20	30	7	14	2,8	3,0
637 552 05	637 553 05	637 805 00	637 905 00	6 x 12	12	6	6	M6	10	12	24	9	16	3,4	3,6
637 552 06	-	637 805 00	637 905 00	6 x 24	12	6	6	M6	10	24	36	9	23	3,4	3,6
637 552 07	637 553 07	637 807 00	637 907 00	8 x 16	16	8	8	M8	14	16	32	12	38	9,3	10
637 552 08	-	637 807 00	637 907 00	8 x 32	16	8	8	M8	14	32	48	12	55	9,3	10
637 552 09	637 553 09	637 809 00	637 909 00	10 x 20	20	10	10	M10	18	20	40	16	80	17	19
637 552 10	-	637 809 00	637 909 00	10 x 40	20	10	10	M10	18	40	60	16	120	17	19
637 552 11	637 553 11	637 811 00	637 911 00	12 x 24	24	12	12	M12	20	24	48	18	125	32	34
637 552 12	-	637 811 00	637 911 00	12 x 48	24	12	12	M12	20	48	72	18	180	32	34
-	-	637 813 00	637 913 00	14 x 28	27	14	14	M14	-	28	56	-	190	47	50
-	-	637 813 00	637 913 00	14 x 56	27	14	14	M14	-	56	85	-	265	47	50
-	-	637 815 00	637 915 00	16 x 32	32	16	16	M16	-	32	64	-	300	70	73
-	-	637 815 00	637 915 00	16 x 64	32	16	16	M16	-	64	96	-	430	70	73

A Clevis GD with bolt set KL or SL can be used as a clevis joint.

Clevises GD with Rotating Shaft

Clevises GD have the same dimensions like DIN 71752, but the shaft is rotatable. So, there is no need to adjust the radial position when mounting. The rotating shaft will compensate radial movements caused by axes or levers which are not accurately in line or by Bowden cables. With a bolt set KL or SL, a clevis can get completed to a clevis joint. When mounting, all movable parts and contact surfaces should be lubricated.

Bolt Sets KL

The set exists from one bolt and a fitting KL retainer. It can be used with all clevises according to DIN 71752 or other clevises with dimensions like DIN. KL retainers can get mounted and dismantled very easily. They are intended for connections which must be disassembled more often. It is necessary to ensure that there is no unwanted strong contact to the retainer, because it is easily to remove.

Bolt Sets SL

The set exists from one bolt and a fitting SL retainer. It can be used with all clevises according to DIN 71752 or other clevises with dimensions like DIN. SL retainers are not so easy and quick to mount and to dismount like KL retainers, but the connection is much better secured against loosening.