

## Shaft Collars, Clamp Collars, Single-Split - Type S

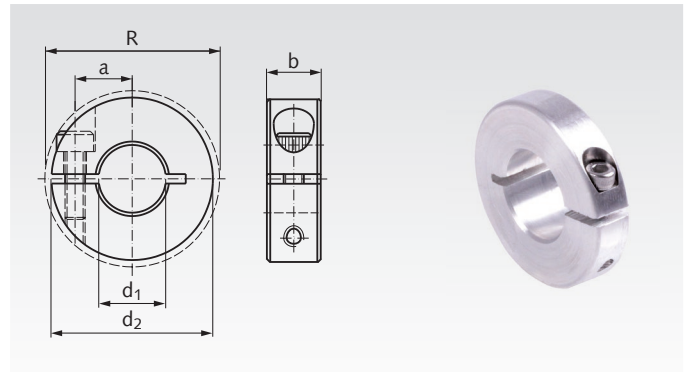
**Material:** aluminium, screws stainless steel A2-70.

**Type S:** Narrow version, e.g. for encoders.

The thread of the screw DIN 912 is covered with a layer of nylon.

Tolerance b: +0.08 mm  
-0.25 mm

Temperature range: -40°C to +175°C.



Ordering Details: e.g.: Product No. 623 661 05S, Clamp Collar S, 5mm

Product No.	d <sub>1</sub> mm	d <sub>2</sub> mm	R <sub>max.</sub> mm	b mm	Screw DIN912	a mm	Weight g
623 661 05S	5	25	27,3	6	M2,5 x 8	10,25	7,9
623 661 06S	6	25	27,3	6	M2,5 x 8	10,25	7,8
623 661 08S	8	25	27,3	6	M2,5 x 8	10,25	7,4
623 661 10S	10	25	27,3	6	M2,5 x 8	10,25	7,0
623 661 12S	12	25	27,3	6	M2,5 x 8	10,25	6,4
623 661 14S	14	25	27,3	6	M2,5 x 8	10,25	5,8
623 661 15S	15	34	34,0	8	M3 x 10	12	16,3
623 661 16S	16	34	34,0	8	M3 x 10	12	15,8
623 661 20S	20	35	37,3	8	M3 x 10	14,75	14,5
623 661 24S	24	45	48,0	10	M4 x 12	19	31,9
623 661 25S	25	45	48,0	10	M4 x 12	19	30,8
623 661 30S	30	60	63,8	12	M5 x 14	26	70,7
623 661 32S	32	60	63,8	12	M5 x 14	26	67,5
623 661 35S	35	60	63,8	12	M5 x 14	26	62,4
623 661 40S	40	60	63,8	12	M5 x 14	26	52,9

## Shaft Collars, Clamp Collars, Double-Split - Type S

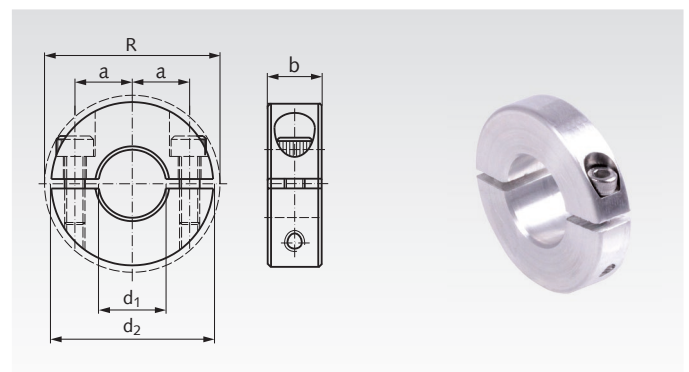
**Material:** aluminium, screws stainless steel A2-70.

**Type S:** Narrow version, e.g. for encoders.

The threads of the screws DIN 912 are covered with a layer of nylon.

Tolerance b: +0.08 mm  
-0.25 mm

Temperature range: -40°C to +175°C.



Ordering Details: e.g.: Product No. 623 664 05S, Clamp Collar S, 5mm

Product No.	d <sub>1</sub> mm	d <sub>2</sub> mm	R <sub>max.</sub> mm	b mm	Screws DIN912	a mm	Weight g
623 664 05S	5	25	27,3	6	M2,5 x 8	10,25	8,2
623 664 06S	6	25	27,3	6	M2,5 x 8	10,25	8,1
623 664 08S	8	25	27,3	6	M2,5 x 8	10,25	7,7
623 664 10S	10	25	27,3	6	M2,5 x 8	10,25	7,3
623 664 12S	12	25	27,3	6	M2,5 x 8	10,25	6,7
623 664 14S	14	25	27,3	6	M2,5 x 8	10,25	6,1
623 664 15S	15	34	34,0	8	M3 x 10	12	16,9
623 664 16S	16	34	34,0	8	M3 x 10	12	16,3
623 664 20S	20	35	37,3	8	M3 x 10	14,75	15,1
623 664 24S	24	45	48,0	10	M4 x 12	19	33,0
623 664 25S	25	45	48,0	10	M4 x 12	19	32,0
623 664 30S	30	60	63,8	12	M5 x 14	26	72,7
623 664 32S	32	60	63,8	12	M5 x 14	26	69,5
623 664 35S	35	60	63,8	12	M5 x 14	26	64,4
623 664 40S	40	60	63,8	12	M5 x 14	26	54,9