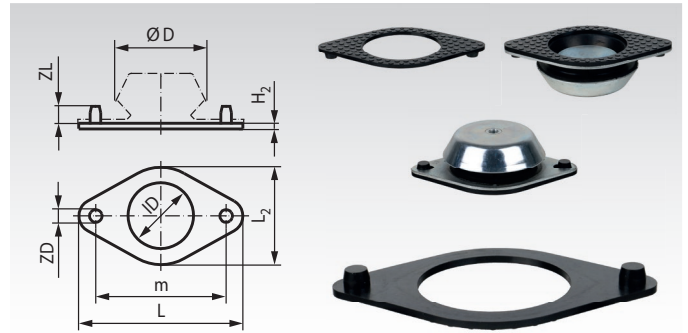


Rubber Pads for Machine Mounts Failsafe or not Failsafe, with oval Flange

Material: Rubber NBR, black, 70° +/-5° Shore A.

These oil-resistant rubber pads can be clipped into the bores of the **MÄDLER**® machine mounts (failsafe or not failsafe). With small nubs on the bottom side. The rubber pads enable an anti-slip and vibration-damping placement of the machine mounts. Only for applications, where the machine mounts don't need to be bolted in the ground.



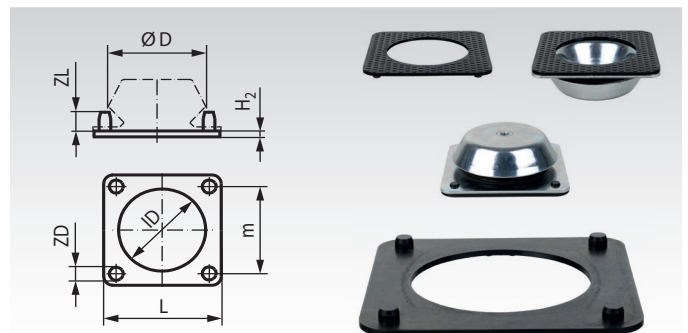
Ordering Details: e.g.: Product No. 685 940 99, Rubber Pad for Machine Mount with oval Flange, D = 48 mm

Product No.	D mm	L mm	L ₂ mm	H ₂ mm	ID mm	m mm	ZD mm	ZL mm	Weight g
685 940 99	48	81	50	2	36	68	6,4	3,5	5
685 945 99	60	106	60	3	46	90	8,5	9	11
685 950 99	77	128	77	3	60	110	9,2	6	15
685 952 99	82	128	82	3	65	110	11,2	9	17
685 955 99	92	138	95	3	64	110	10,7	9	24
685 960 99	106	172	108	4	82	146	14,2	9	40
685 965 99	108	190	112	4	90	160	16,7	11	50
685 970 99	121	188	122	4	92	158	13,7	9	44
685 975 99	144	216	144	4	110	186	14,2	10	63

Rubber Pads for Machine Mounts Failsafe or not Failsafe, with square Flange

Material: Rubber NBR, black, 70° +/-5° Shore A.

These oil-resistant rubber pads can be clipped into the bores of the **MÄDLER**® machine mounts (failsafe or not failsafe). With small nubs on the bottom side. The rubber pads enable an anti-slip and vibration-damping placement of the machine mounts. Only for applications, where the machine mounts don't need to be bolted in the ground.



Ordering Details: e.g.: Product No. 685 980 99, Rubber Pad for Machine Mount with square Flange, D = 101 mm

Product No.	D mm	L mm	H ₂ mm	ID mm	m mm	ZD mm	ZL mm	Weight g
685 980 99	101	108	4	81	88	9,3	6	36
685 985 99	150	168	4	115	132	12,8	7	76
685 990 99	177	184	4	138	150	13,3	7,5	81
685 995 99	192	200	4	145	165	13,3	9	102