

## Roller Chains with Bent Attachments DIN ISO 606 (ex DIN 8187-2), K1, 2 x p

**Material:** Special chain steels.

**Attachment distance 2 x p**  
(attachment at every outer link),  
either one-sided or two-sided.

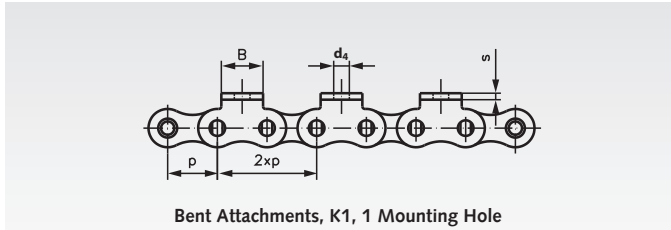
Other Attachment distance can be supplied at short notice.  
Different attachment sizes and special chains on request.

Connecting links K1 have to be ordered separately (see below).

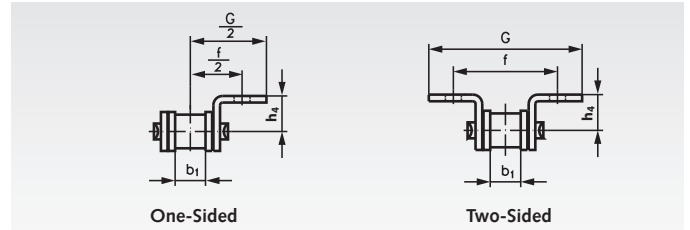
Ordering Details, e.g., Product No. 101 000 01, Roller Chain with Bent Attachments  
06 B-1-K1, One-Sided on the Outer Link, Distance 2xp



### K1 = Slim Version, 1 Mounting Hole



Bent Attachments, K1, 1 Mounting Hole



One-Sided

Two-Sided

DIN ISO No.	Product No. One-Sided 2 x p	Product No. Two-Sided 2 x p	Pitch x Inner Width p x b <sub>1</sub> inch	Pitch p mm	Inner Width b <sub>1</sub> min. mm	h <sub>4</sub> mm	d <sub>4</sub> mm	f/2 mm	G/2* mm	B* mm	s min* mm	Weight*	
												1-Sided kg/m	2-Sided kg/m
06 B-1**	101 000 01	101 000 02	3/8 x 7/32"	9,525	5,72	6,5	3,5	9,5	13,5	8,0	1,2	0,45	0,49
08 B-1	105 000 01	105 000 02	1/2 x 5/16"	12,7	7,75	8,9	4,5	12,7	17,6	9,5	1,6	0,75	0,81
10 B-1	106 000 01	106 000 02	5/8 x 3/8"	15,875	9,65	10,3	5,5	15,9	22,5	14,3	1,7	1,03	1,12
12 B-1	107 000 01	107 000 02	3/4 x 7/16"	19,05	11,68	13,5	6,6	19,05	26,5	16,0	1,8	1,27	1,38
16 B-1	108 000 01	108 000 02	1" x 17,02mm	25,4	17,02	15,9	6,6	25,40	36,3	19,1	2,8	2,94	3,17

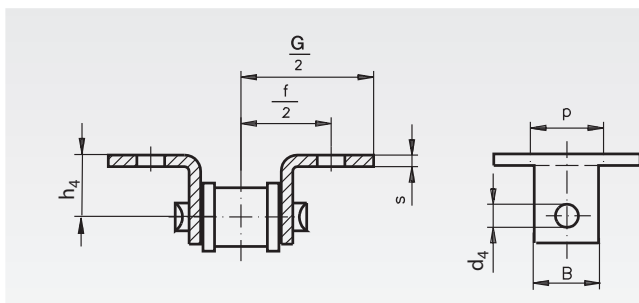
\* The marked dimensions are not listed in the DIN and may vary a little.

Attachments with dimensions according to company standard are still available on request.

\*\* This size is not listed in the DIN.

**Attention please: Packing Unit 5m**  
If special lengths are needed, please tell us the  
length and the number of links (uneven number!).  
Connecting links have to be ordered separately.

## Connecting Links K1 with Spring Clip, with Slim, Bent Attachments DIN ISO 606 (ex DIN 8187-2)



Slim Bent  
Attachment =  
Version K1  
(view from top,  
turned).



One-Sided



Two-Sided

**Material:** Special chain steels.

Ordering Details, e.g., Product No. 101 003 01, Connecting Link K1, one-sided

### K1 = Slim Version, 1 Mounting Hole

DIN ISO	Product No. One-Sided	Product No. Two-Sided	p mm	h <sub>4</sub> mm	d <sub>4</sub> mm	f/2 mm	G/2* mm	B* mm	s min.* mm	Weight*	
										1-Sided g	2-Sided g
06 B-1**	101 003 01	101 003 02	9,525	6,5	3,5	9,5	13,5	8,0	1,2	5,1	5,7
08 B-1	105 003 01	105 003 02	12,7	8,9	4,5	12,7	17,6	9,5	1,6	11,2	13,6
10 B-1	106 003 01	106 003 02	15,875	10,3	5,5	15,9	22,5	14,3	1,7	17,4	21,5
12 B-1	107 003 01	107 003 02	19,05	13,5	6,6	19,05	26,5	16,0	1,8	23	28
16 B-1	108 003 01	108 003 02	25,4	15,9	6,6	25,4	36,3	19,1	2,8	75	89

\* The marked dimensions are not listed in the DIN and may vary a little.

\*\* This size is not listed in the DIN.