

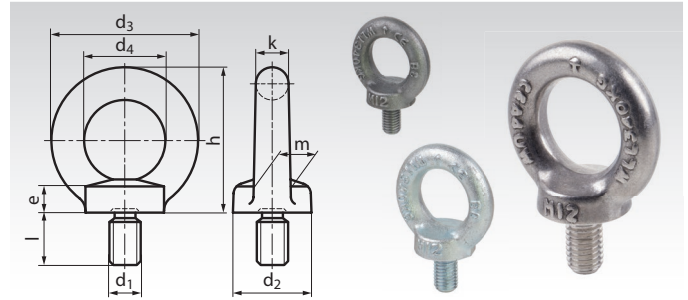
## Lifting Eye Bolts DIN 580 (Ring Bolts), Steel and Stainless steel, forged version

**Material:** Steel C15E, Steel C15E zinc-plated, Stainless Steel A2 and Stainless Steel A4.



- For lifting and transport activities.
- For security areas and high requirement.
- For permanent attachment to transport parts.
- With CE marking und user information.

Temperature range: -20°C to +200°C.



Ordering Details: e.g.: Product No. 654 580 06, Lifting Eye Bolt DIN 580, M6, C15E

Product No. C15E	Product No. C15E zinc-pl.	Product No. Stainless A2	Product No. Stainless A4	d <sub>1</sub> mm	d <sub>2</sub> mm	d <sub>3</sub> mm	d <sub>4</sub> mm	e mm	h mm	k mm	l mm	m mm	F <sub>1</sub> max.* kg	F <sub>2</sub> max.* kg	F <sub>3</sub> max.* kg	Weight kg
654 580 06	654 581 06	654 582 06	654 584 06	M6	20	36	20	6	36	8	13	10	75	55	38	0,06
654 580 08	654 581 08	654 582 08	654 584 08	M8	20	36	20	6	36	8	13	10	140	100	70	0,06
654 580 10	654 581 10	654 582 10	654 584 10	M10	25	45	25	8	45	10	17	12	230	170	115	0,11
654 580 12	654 581 12	654 582 12	654 584 12	M12	30	54	30	10	53	12	20,5	14	340	240	170	0,18
654 580 16	654 581 16	654 582 16	654 584 16	M16	35	63	35	12	62	14	27	16	700	500	350	0,28
654 580 20	654 581 20	654 582 20	654 584 20	M20	40	72	40	14	71	16	30	19	1200	860	600	0,45
654 580 24	654 581 24	654 582 24	654 584 24	M24	50	90	50	18	90	20	36	24	1800	1290	900	0,74
654 580 30	654 581 30	-	-	M30	65	108	60	22	109	24	45	28	3200	2300	1600	1,66
654 580 36	654 581 36	-	-	M36	75	126	70	26	128	28	54	32	4600	3300	2300	2,65
654 580 42	654 581 42	-	-	M42	85	144	80	30	147	32	63	38	6300	4500	3150	4,03

\* With a 6-fold safety.

### Mounting Instruction - User Information according to DIN 580:2018-04

Eye bolts conforming to this standard are primarily intended as permanent attachments on equipment such as motors, control cabinets, gear boxes, etc. When used as temporary attachments on larger objects such as large tools for transportation only, the next largest thread size is to be used. When using eye bolts with multistrand chain slings, the relevant standards, such as DIN EN 818-4 shall be observed.

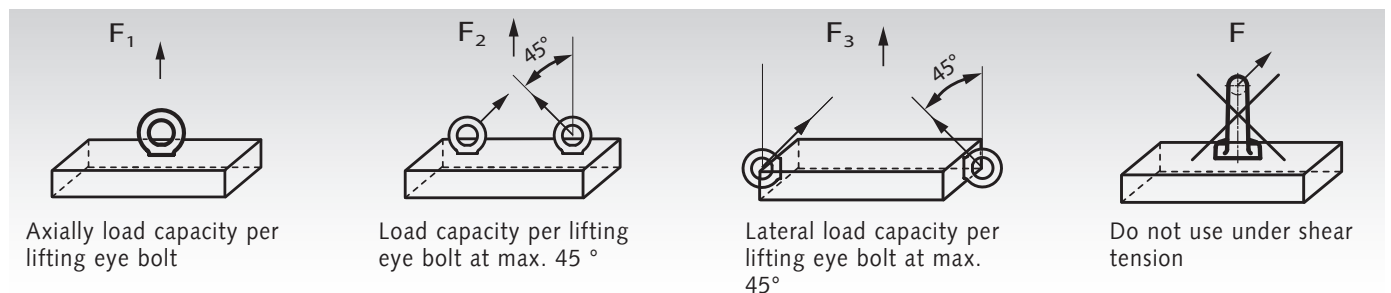
The specifications of the table apply only if

- the eye bolt shank is fully engaged (assuming adequate thread length);
- the eye bolt is firmly screwed down and the collar sits evenly on the contact surface;
- the material of the equipment is capable of accommodating the stresses induced without any deformation liable to impair safety;
- tapped holes have a threaded length sufficient to ensure that the eye bolt shank is fully engaged and the collar fully seated (see DIN 76-1). In the case of clearance holes, an eye bolt/nut assembly shall be used. The nut should be of size equal to  $0,8 \times d$  and tightened, a washer being used if the thread length so permits.
- The values F<sub>2</sub> given in line 2 of table apply only if the angle between each sling branch and the vertical does not exceed 45°. The values F<sub>3</sub> given in line 3 of the table apply for cases where the load acts in parallel to the plane of the eye. Any lateral loading of eye bolts should be avoided (see last figure).

If the mounted eye bolts shall have a determined position to an axis or an edge or similar, suitable spacers / distance washers must be used to avoid inadmissible loads.

Before being used, eye bolts should be checked for correct seating and apparent damage (e.g. corrosion, deformation). Deformed eye bolts should be discarded.

In order to preclude mistaking eye bolts for high-strength fixing points, the bolts or nuts should not be colour marked in use (and particularly not marked in red).



### Marking according to DIN 580:2018-04

Eye bolts shall be permanently marked by embossing the following: manufacturer's trademark; symbol denoting the material grade (e.g. C15E or A2); lifting capacity, axial, (WLL = Working Load Limit in kg, see Table, F<sub>1</sub>); arrow indicating the axial direction. Space shall be provided to apply any marking required by statutory regulations (e.g. CE marking).