

## Control Knobs 726.1

### Material:

Aluminium, black anodised finish, scale (version S) and arrow (version A): white, engraved with laser precision. Knob cover disk: light- grey plastic. Collet/hexagon nut: brass. Stainless steel set screw: DIN 916 with Allen screw and serrated end.

**Type A:** with arrow.

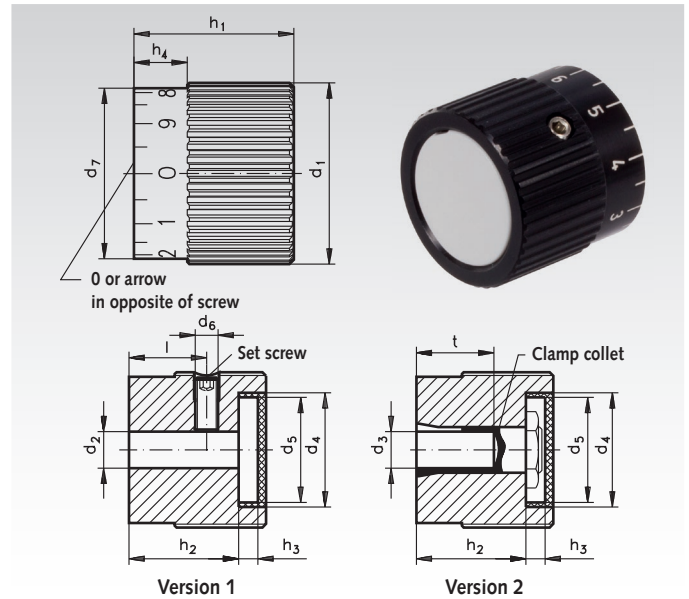
**Type B:** neutral, without arrow or grading.

**Type S:** with scale 0...9, 20 graduations.

**Version 1:** with set screw (bore  $d_2$ ).

**Version 2:** with collet (bore  $d_3$ ).

When mounting, the cover is pressed in by hand, for demounting it can be lifted up at the slot using a screwdriver. The collet version allows easy "adjustment" of the knobs and offers completely secure mounting on the shaft. Scale or arrow are fully abrasion proof and easy to read, as the engraving makes the aluminium coloured figures and numbers stand out against the black, anodised surface. Besides the standard scale (Version S) these knobs can be supplied with any scale desired (on request).



Ordering Details: e.g.: Product No. 660 701 22, Control Knob Vers. 1, Version A, 22 mm

Product No. Version 1	Product No. Version 2	Type	$d_1$ mm	$d_2^{H8}$ mm	$d_3$ mm	$d_4$ mm	$d_5$ mm	$d_6$ mm	$d_7$ mm	$h_1$ mm	$h_2$ mm	$h_3$ mm	$h_4$ mm	l mm	t mm	Weight in g	
																Vers. 1	Vers. 2
660 701 22	-	A	22	5	-	16	14	M4	20	22	16	4,3	8	12,5	-	17	-
660 701 27	660 705 27	A	27	6	6	20	18	M4	25	26	20	4,3	9	14	14	32	37
660 701 34	660 705 34	A	34	8	8	25	23	M5	32	30	24	4,2	10	15	17	58	65
660 701 42	660 705 42	A	42	10	10	32	30	M5	40	34	28	4,0	11	16	20	103	112
660 702 22	-	B	22	5	-	16	14	M4	20	22	16	4,3	8	12,5	-	17	-
660 702 27	660 706 27	B	27	6	6	20	18	M4	25	26	20	4,3	9	14	14	32	37
660 702 34	660 706 34	B	34	8	8	25	23	M5	32	30	24	4,2	10	15	17	58	65
660 702 42	660 706 42	B	42	10	10	32	30	M5	40	34	28	4,0	11	16	20	103	112
660 703 22	-	S	22	5	-	16	14	M4	20	22	16	4,3	8	12,5	-	17	-
660 703 27	660 707 27	S	27	6	6	20	18	M4	25	26	20	4,3	9	14	14	32	37
660 703 34	660 707 34	S	34	8	8	25	23	M5	32	30	24	4,2	10	15	17	58	65
660 703 42	660 707 42	S	42	10	10	32	30	M5	40	34	28	4,0	11	16	20	103	112



**Type A:** with arrow.



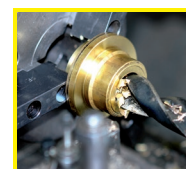
**Type B:** neutral, without arrow or grading.



**Type S:** with scale 0...9, 20 graduations.



**Version 1:** with set screw  $d_6$  (bore  $d_2$ ).  
**Version 2:** with collet (bore  $d_3$ ).



**Reworking within  
24h-service possible.  
Custom made parts  
on request.**