

Ball Pillow Block Bearings TUCP, Thermoplastic Housing with Stainless Steel Bearing

Material: Housing: Thermoplast PBT, on choice black or white.

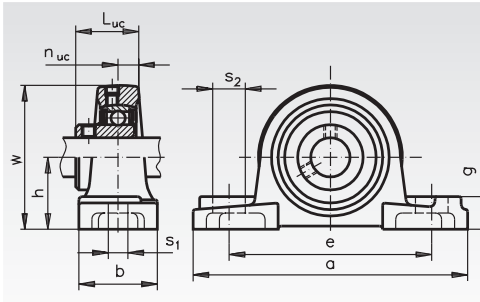
Rolling bearing: Stainless steel 1.4125 (X105CrMo17, AISI 440 C), lubricated with grease FM 222 for food processing machinery, with registration FDA, CIFA, KPF2K-20, NSF H1.

The rolling bearing can be swiveled when mounting to compensate shaft misalignment. The shaft will get fastened with 2 setscrews. Lubricated for life at normal operating conditions. Re-lubricating is possible. Delivery with stainless steel grease nipple.

Temperature range: -20°C to +90°C (for short time up to +120°C).

Ordering Details: e.g.: Product No. 625 551 12, Ball Pillow Block Bearing TUCP 201, black, Bore 12mm

STAINLESS



Product No. Black	Product No. White	TUCP No.	Bore mm	h mm	a mm	e mm	b mm	s ₁ mm	s ₂ mm	g mm	w mm	L _{uc} mm	n _{uc} mm	Housing Load Rating radial* kN	axial** kN	Weight kg
625 551 12	625 561 12	201	12	33,3	127	95	38	11	14	14,2	65,5	31,0	12,7	7,7	5,0	0,30
625 551 15	625 561 15	202	15	33,3	127	95	38	11	14	14,2	65,5	31,0	12,7	7,7	5,0	0,30
625 551 17	625 561 17	203	17	33,3	127	95	38	11	14	14,2	65,5	31,0	12,7	7,7	5,0	0,30
625 551 20	625 561 20	204	20	33,3	127	95	38	11	14	14,2	65,5	31,0	12,7	7,7	5,0	0,28
625 551 25	625 561 25	205	25	36,5	140,5	105	38	11	14	14,5	71,0	34,0	14,3	10,0	8,1	0,34
625 551 30	625 561 30	206	30	42,9	163	119	46	14	18	17,8	84,0	38,1	15,9	10,6	5,8	0,52
625 551 35	625 561 35	207	35	47,6	170	127	48	14	18	18,0	94,5	42,9	17,5	10,8	7,5	0,73
625 551 40	625 561 40	208	40	49,2	184	137	54	14	18	19,5	99,0	49,2	19,0	11,1	8,5	1,00
625 551 45	625 561 45	209	45	54,0	192	146	54	17	20	23,0	106,0	49,2	19,0	11,4	9,0	1,15
625 551 50	625 561 50	210	50	57,2	206	159	60	17	20	23,0	114,0	51,6	19,0	11,8	9,6	1,34

* Maximum radial load if axial force = 0.

** Maximum axial load if radial force = 0.

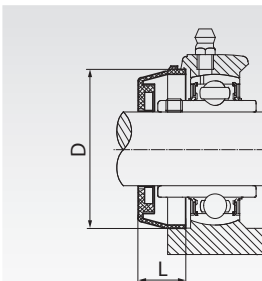
Protection Caps for Thermoplastic Pillow Bearings TUCP, TUCF and TUCFL

Material: Thermoplast PBT, on choice black or white.

Open Design with sealing for shaft side or closed design.

The caps fit only on the one bearing side with the setscrews. They can get clipped on by hand by the customer.

Temperature range: -20°C to +90°C (for short time up to +120°C).



Ordering Details: e.g.: Product No. 625 552 17, Protection Cap, black, Open Design, for Bearing Size 203

Product No. Black	Product No. White	Design	for bearing size	Bore mm	Ø mm	Length L mm	Weight g
625 552 17	-	open	203	17	50	23	10
625 552 20	625 562 20	open	204	20	50	23	10
625 552 25	625 562 25	open	205	25	55	25	15
625 552 30	625 562 30	open	206	30	64	30	20
625 552 35	625 562 35	open	207	35	74,5	32	20
625 552 40	625 562 40	open	208	40	84	37	30
625 552 45	625 562 45	open	209	45	89	41	30
625 552 50	625 562 50	open	210	50	94	47	35
625 553 20	625 563 20	closed	201 - 204	-	50	23	10
625 553 25	625 563 25	closed	205	-	55	25	10
625 553 30	625 563 30	closed	206	-	64	30	15
625 553 35	625 563 35	closed	207	-	74,5	32	20
625 553 40	625 563 40	closed	208	-	84	37	30
625 553 45	625 563 45	closed	209	-	89	41	30
625 553 50	625 563 50	closed	210	-	94	47	35