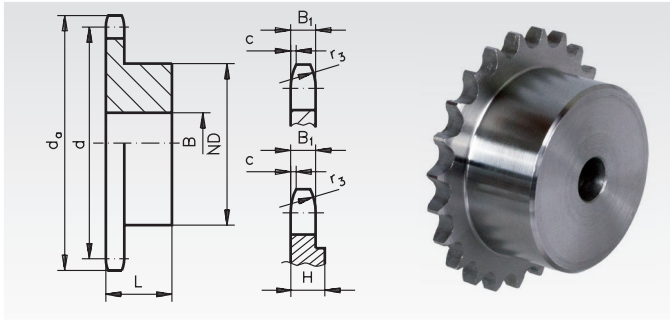


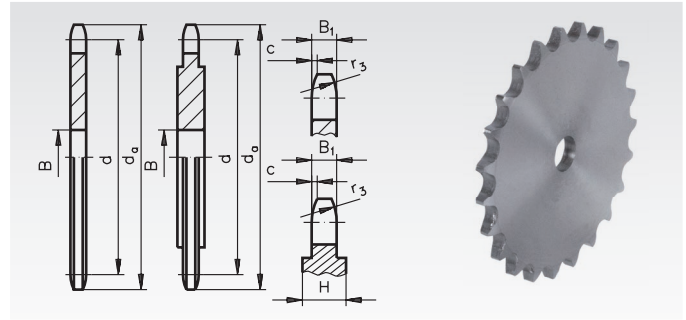
**Sprockets KRS with One-Sided Hub, ISO 081**

**Plate wheels KRL, ISO 081**



**Material:** Steel C45, not hardened.  
Pre-bored.  
Pitch 1/2 x 1/8" KRS from a Teeth Number of 32 reinforced (H = 4 mm, see drawing).

Ordering Details: e.g.: Product No. 102 108 00, KRS, ISO 081, 8 Teeth



**Material:** Low-carbon steel, not hardable.  
Pre-bored.  
Pitch 1/2 x 1/8" KRL from a Teeth Number of 32 reinforced (H = 4 mm, see drawing, from a Teeth Number of 90 H = 6 mm).

Ordering Details: e.g.: Product No. 102 208 00, KRL, ISO 081, 8 Teeth

**ISO 081, Pitch 1/2 x 1/8",  
B<sub>1</sub> = 3 mm, c = 1.0 mm, r<sub>3</sub> = 13 mm**

**ISO 081, Pitch 1/2 x 1/8",  
B<sub>1</sub> = 3 mm, c = 1.0 mm, r<sub>3</sub> = 13 mm**

Product No.	Number of teeth	d <sub>a</sub> mm	d mm	ND mm	B mm	L mm	Weight g
102 108 00	8	37,2	33,18	21	8	14	41
102 109 00	9	41,5	37,13	25	8	14	57
102 110 00	10	46,2	41,10	28	8	14	73
102 111 00	11	49,6	45,07	31	8	16	103
102 112 00	12	53,9	49,07	35	8	16	129
102 113 00	13	58,4	53,07	39	8	16	158
102 114 00	14	62,8	57,07	43	8	16	194
102 115 00	15	66,8	61,09	47	8	16	228
102 116 00	16	70,9	65,10	50	10	18	291
102 117 00	17	74,9	69,11	50	10	18	300
102 118 00	18	78,9	73,14	50	10	18	303
102 119 00	19	82,9	77,16	50	10	18	317
102 120 00	20	86,9	81,19	50	10	18	329
102 121 00	21	91,0	85,22	60	12	20	478
102 122 00	22	95,0	89,24	60	12	20	490
102 123 00	23	99,0	93,27	60	12	20	508
102 124 00	24	103,0	97,29	60	12	20	517
102 125 00	25	107,1	101,33	60	12	20	537
102 126 00	26	111,2	105,36	70	16	20	676
102 127 00	27	115,4	109,40	70	16	20	689
102 128 00	28	119,4	113,42	70	16	20	697
102 130 00	30	127,5	121,50	70	16	20	733
102 132 00	32	135,5	129,56	70	16	20	853
102 134 00	34	143,6	137,64	70	16	20	931
102 135 00	35	147,6	141,68	70	16	20	942
102 136 00	36	151,7	145,72	70	16	25	1062
102 138 00	38	159,8	153,80	70	16	25	1178
102 140 00	40	167,8	161,87	70	16	25	1254

Product No.	Number of teeth	d <sub>a</sub> mm	d mm	B mm	Weight g
102 208 00	8	37,2	33,18	8	15
102 209 00	9	41,5	37,13	8	19
102 210 00	10	46,2	41,10	8	26
102 211 00	11	49,6	45,07	8	30
102 212 00	12	53,9	49,07	8	38
102 213 00	13	58,4	53,07	8	45
102 214 00	14	62,8	57,07	8	49
102 215 00	15	66,8	61,09	8	58
102 216 00	16	70,9	65,10	10	66
102 217 00	17	74,9	69,11	10	80
102 218 00	18	78,9	73,14	10	88
102 219 00	19	82,9	77,16	10	101
102 220 00	20	86,9	81,19	10	110
102 221 00	21	91,0	85,22	10	122
102 222 00	22	95,0	89,24	10	139
102 223 00	23	99,0	93,27	10	148
102 224 00	24	103,0	97,29	12	153
102 225 00	25	107,1	101,33	12	187
102 226 00	26	111,2	105,36	12	199
102 227 00	27	115,4	109,40	12	211
102 228 00	28	119,4	113,42	12	222
102 230 00	30	127,5	121,50	12	260
102 232 00	32	135,5	129,56	12	361
102 234 00	34	143,6	137,64	12	435
102 235 00	35	147,6	141,68	12	451
102 236 00	36	151,7	145,72	16	445
102 238 00	38	159,8	153,80	16	398
102 240 00	40	167,8	161,87	16	442
102 242 00	42	175,4	169,95	16	640
102 245 00	45	187,5	182,07	16	705
102 248 00	48	199,7	194,18	20	897
102 250 00	50	207,8	202,26	20	928
102 254 00	54	224,0	218,43	20	1207
102 257 00	57	236,1	230,54	20	1373
102 260 00	60	248,2	242,66	20	1294
102 265 00	65	268,8	262,86	20	1563
102 270 00	70	289,0	283,07	25	1825
102 272 00	72	297,1	291,16	25	1924
102 276 00	76	313,3	307,33	25	2486
102 280 00	80	329,4	323,48	25	2496
102 282 00	90	369,9	363,90	25	4424
102 288 00	114	466,9	460,90	25	6848

*Bolt-on hubs for  
plate wheels page 96*

