

## Adjusting Rings (Shaft Collars with Set Screw) DIN 705 A

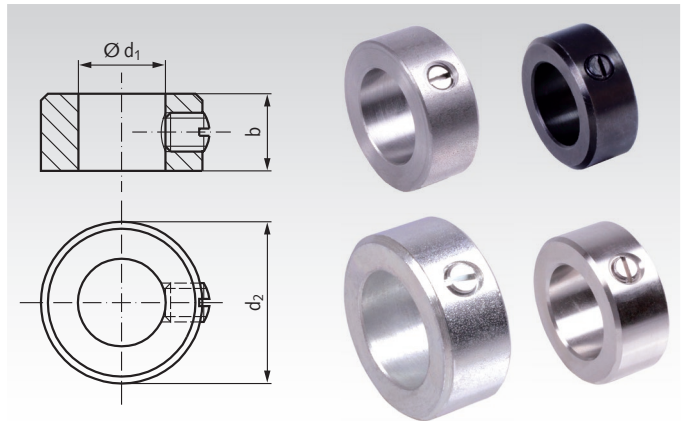
**Material:** Steel, bright  
 Steel, black oxide finish.  
 Steel, zinc-plated.  
 Stainless steel 1.4305.

Light-duty series. With set screw made from steel, steel zinc-plated or stainless steel. Up to size  $d_1=70\text{mm}$  with one slotted screw, DIN EN 27434. From size  $d_1=75\text{mm}$  with 2 allen screws like DIN EN ISO 4027, with offset  $135^\circ$ .

Bright turned and kalibrated. Bores tolerance H8. Large chamfer on one side of the outside diameter.

Temperature range:  $-40^\circ\text{C}$  to  $+175^\circ\text{C}$ .

Ordering Details: e.g.: Product No. 623 003 00,  
 Collar DIN 705 A, 3 mm Bore



Product No. Steel bright	Product No. Steel black oxidized	Product No. Steel zinc-plated	Product No. Stainless Steel	$d_1$ mm	$d_2$ mm	b mm	Screw mm	Weight kg p. %
623 003 00	623 890 03	623 880 03	623 990 03	3	7	5	M2	0,123
623 004 00	623 890 04	623 880 04	623 990 04	4	8	5	M2,5	0,152
623 005 00	623 890 05	623 880 05	623 990 05	5	10	6	M3	0,280
623 006 00	623 890 06	623 880 06	623 990 06	6	12	8	M4	0,548
623 007 00	623 890 07	623 880 07	623 990 07	7	12	8	M4	0,488
623 008 00	623 890 08	623 880 08	623 990 08	8	16	8	M4	0,940
623 009 00*	623 890 09*	623 880 09*	623 990 09*	9	18*	10*	M5	1,51
623 010 00	623 890 10	623 880 10	623 990 10	10	20	10	M5	1,85
623 011 00	623 890 11	623 880 11	623 990 11	11	20	10	M5	1,72
623 012 00	623 890 12	623 880 12	623 990 12	12	22	12	M6	2,52
623 014 00	623 890 14	623 880 14	623 990 14	14	25	12	M6	3,17
623 015 00	623 890 15	623 880 15	623 990 15	15	25	12	M6	2,98
623 016 00	623 890 16	623 880 16	623 990 16	16	28	12	M6	3,84
623 018 00	623 890 18	623 880 18	623 990 18	18	32	14	M6	6,00
623 020 00	623 890 20	623 880 20	623 990 20	20	32	14	M6	5,30
623 022 00	623 890 22	623 880 22	623 990 22	22	36	14	M6	6,90
623 024 00	623 890 24	623 880 24	623 990 24	24	40	16	M8	10,00
623 025 00	623 890 25	623 880 25	623 990 25	25	40	16	M8	9,56
623 026 00	623 890 26	623 880 26	623 990 26	26	40	16	M8	9,05
623 028 00	623 890 28	623 880 28	623 990 28	28	45	16	M8	12,2
623 030 00	623 890 30	623 880 30	623 990 30	30	45	16	M8	11,1
623 032 00	623 890 32	623 880 32	623 990 32	32	50	16	M8	14,5
623 035 00	623 890 35	623 880 35	623 990 35	35	56	16	M8	18,7
623 036 00	623 890 36	623 880 36	623 990 36	36	56	16	M8	18,0
623 038 00	623 890 38	623 880 38	623 990 38	38	56	16	M8	16,7
623 040 00	623 890 40	623 880 40	623 990 40	40	63	18	M10	26,1
623 042 00	623 890 42	623 880 42	623 990 42	42	63	18	M10	24,5
623 045 00	623 890 45	623 880 45	623 990 45	45	70	18	M10	31,7
623 048 00	623 890 48	623 880 48	623 990 48	48	70	18	M10	28,8
623 050 00	623 890 50	623 880 50	623 990 50	50	80	18	M10	42,9
623 055 00	623 890 55	623 880 55	623 990 55	55	80	18	M10	37,3
623 056 00	623 890 56	623 880 56	623 990 56	56	80	18	M10	36,1
623 060 00	623 890 60	623 880 60	623 990 60	60	90	20	M10	55,2
623 063 00	623 890 63	623 880 63	623 990 63	63	90	20	M10	50,8
623 065 00	623 890 65	623 880 65	623 990 65	65	100	20	M10	70,8
623 070 00	623 890 70	623 880 70	623 990 70	70	100	20	M10	62,6
623 075 006	623 890 756	623 880 756	623 990 756	75	110	22	2 x M12	87,1
623 080 006	623 890 806	623 880 806	623 990 806	80	110	22	2 x M12	76,8
623 085 006	623 890 856	623 880 856	623 990 856	85	125	22	2 x M12	113,0
623 090 006	623 890 906	623 880 906	623 990 906	90	125	22	2 x M12	101,0
623 100 006	623 891 006	623 881 006	623 991 006	100	140	25	2 x M12	147,0

\* At size 9, the outer dimensions are not like DIN 705.

Other sizes and inch-sizes on request.