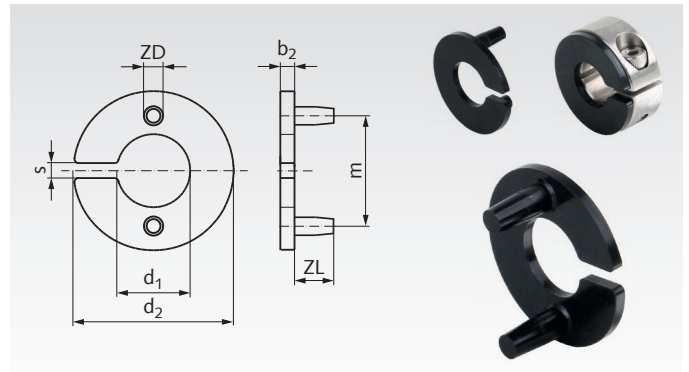


## Rubber Pads for Shaft Collars B1

**Material:** Rubber NBR, black, 70° +/-5° Shore A.

These oil-resistant rubber pads can be clipped into the axial bores of the **MÄDLER**® shaft collars type B1. The rubber pads enable a careful and vibration-damping clamping of a machine component on a shaft.

For mounting, the pins should be lubricated with oil or grease. At collars from stainless steel, tire mounting paste or alternatively hand dishwashing detergent can also be used.



Ordering Details: e.g.: Product No. 623 110 99, Rubber Pad for Shaft Collar B1, Nominal Size 10

| Product No. | Nominal Size | b <sub>2</sub> mm | d <sub>1</sub> mm | d <sub>2</sub> mm | m mm | s mm | ZD mm | ZL mm | Weight g |
|-------------|--------------|-------------------|-------------------|-------------------|------|------|-------|-------|----------|
| 623 110 99  | 10           | 2                 | 11                | 27                | 19   | 3    | 3,7   | 8,7   | 1,5      |
| 623 112 99  | 12           | 2                 | 13                | 29                | 21   | 3    | 4,7   | 10,7  | 1,8      |
| 623 114 99  | 14           | 2                 | 15                | 31                | 23   | 3    | 4,7   | 10,7  | 2,0      |
| 623 115 99  | 15           | 2                 | 16                | 35                | 25,5 | 3    | 5,8   | 12,6  | 2,8      |
| 623 116 99  | 16           | 2                 | 17                | 37                | 27   | 3    | 5,8   | 12,6  | 3,0      |
| 623 118 99  | 18           | 2                 | 19                | 39                | 29   | 3    | 5,8   | 12,6  | 3,2      |
| 623 120 99  | 20           | 2                 | 21                | 41                | 31   | 3    | 5,8   | 14,6  | 3,4      |
| 623 122 99  | 22           | 2,5               | 23                | 45                | 34   | 3    | 6,8   | 14,6  | 5,1      |
| 623 125 99  | 25           | 2,5               | 26                | 47                | 36,5 | 4    | 6,8   | 14,6  | 5,1      |
| 623 128 99  | 28           | 2,5               | 29                | 53                | 41   | 4    | 6,8   | 14,6  | 6,2      |
| 623 130 99  | 30           | 2,5               | 31                | 55                | 43   | 4    | 6,8   | 14,6  | 5,9      |
| 623 132 99  | 32           | 2,5               | 33                | 57                | 45   | 4    | 6,8   | 14,6  | 6,7      |
| 623 135 99  | 35           | 2,5               | 36                | 59                | 47,5 | 4    | 6,8   | 14,6  | 6,8      |
| 623 140 99  | 40           | 2,5               | 41                | 65                | 53   | 4    | 6,8   | 14,6  | 7,7      |
| 623 145 99  | 45           | 3                 | 46                | 75                | 60,5 | 4    | 8,9   | 18,4  | 8,5      |
| 623 150 99  | 50           | 3,5               | 51                | 81                | 66   | 4    | 8,9   | 18,4  | 16,8     |