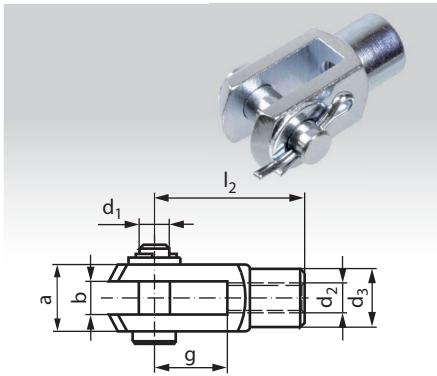


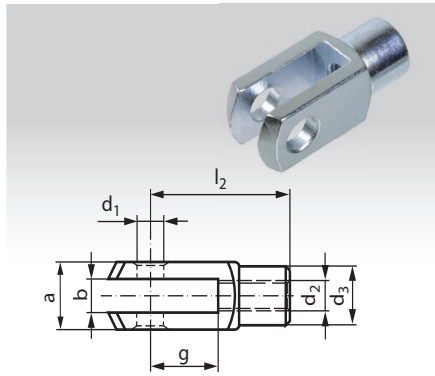
Clevis Joints DIN 71752, Steel



Material: Steel zinc-plated.
Design A: with split pin.

Ordering Details: e.g.: Product No. 637 001 00, Clevis Joint DIN 71752, A 4 x 8 Right Hand

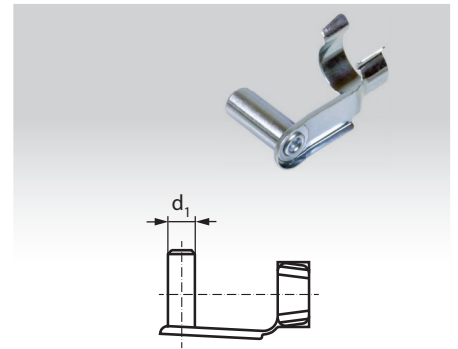
Clevises DIN 71752, Steel



Material: Steel zinc-plated.
Design G: without bolt.

Ordering Details: e.g.: Product No. 637 201 00, Clevis DIN 71752, G 4 x 8 Right Hand

Snap-On-Bolts type ES, Steel



Material: Steel zinc-plated.
ES-Standard 01

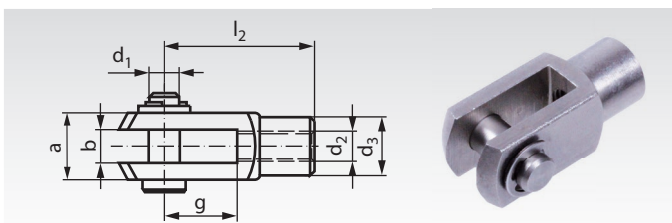
Ordering Details: e.g.: Product No. 637 401 00, ES Pin, for G 4 x 8

| Product No. A right | Product No. A left | Product No. G right | Product No. G left | Product No. ES Bolt | Size mm | a mm | b mm | d ₁ mm | d ₂ mm | d ₃ mm | g mm | l ₂ mm | Weight | | |
|------------------------|-----------------------|------------------------|-----------------------|------------------------|------------|---------|---------|----------------------|----------------------|----------------------|---------|----------------------|--------|--------|---------|
| | | | | | | | | | | | | | A g | G g | ES g |
| 637 001 00 | 637 101 00 | 637 201 00 | 637 301 00 | 637 401 00 | 4 x 8 | 8 | 4 | 4 | M4 | 8 | 8 | 16 | 6 | 5 | 1,5 |
| 637 002 00 | 637 102 00 | 637 202 00 | 637 302 00 | 637 402 00 | 4 x 16 | 8 | 4 | 4 | M4 | 8 | 16 | 24 | 8 | 7 | 2,6 |
| 637 003 00 | 637 103 00 | 637 203 00 | 637 303 00 | 637 403 00 | 5 x 10 | 10 | 5 | 5 | M5 | 9 | 10 | 20 | 10 | 9 | 2,7 |
| 637 004 00 | 637 104 00 | 637 204 00 | 637 304 00 | 637 404 00 | 5 x 20 | 10 | 5 | 5 | M5 | 9 | 20 | 30 | 14 | 13 | 2,9 |
| 637 005 00 | 637 105 00 | 637 205 00 | 637 305 00 | 637 405 00 | 6 x 12 | 12 | 6 | 6 | M6 | 10 | 12 | 24 | 16 | 15 | 4,6 |
| 637 006 00 | 637 106 00 | 637 206 00 | 637 306 00 | 637 406 00 | 6 x 24 | 12 | 6 | 6 | M6 | 10 | 24 | 36 | 23 | 22 | 5 |
| 637 007 00 | 637 107 00 | 637 207 00 | 637 307 00 | 637 407 00 | 8 x 16 | 16 | 8 | 8 | M8 | 14 | 16 | 32 | 38 | 37 | 10,4 |
| 637 008 00 | 637 108 00 | 637 208 00 | 637 308 00 | 637 408 00 | 8 x 32 | 16 | 8 | 8 | M8 | 14 | 32 | 48 | 55 | 54 | 11,5 |
| 637 009 00 | 637 109 00 | 637 209 00 | 637 309 00 | 637 409 00 | 10 x 20 | 20 | 10 | 10 | M10 | 18 | 20 | 40 | 80 | 74 | 19 |
| 637 010 00 | 637 110 00 | 637 210 00 | 637 310 00 | 637 410 00 | 10 x 40 | 20 | 10 | 10 | M10 | 18 | 40 | 60 | 120 | 116 | 20,3 |
| 637 011 00 | 637 111 00 | 637 211 00 | 637 311 00 | 637 411 00 | 12 x 24 | 24 | 12 | 12 | M12 | 20 | 24 | 48 | 125 | 121 | 33,5 |
| 637 012 00 | 637 112 00 | 637 212 00 | 637 312 00 | 637 412 00 | 12 x 48 | 24 | 12 | 12 | M12 | 20 | 48 | 72 | 180 | 175 | 34,5 |
| 637 013 00 | 637 113 00 | 637 213 00 | 637 313 00 | 637 413 00 | 14 x 28 | 27 | 14 | 14 | M14 | 24 | 28 | 56 | 190 | 178 | 45 |
| 637 014 00 | 637 114 00 | 637 214 00 | 637 314 00 | 637 414 00 | 14 x 56 | 27 | 14 | 14 | M14 | 24 | 56 | 85 | 265 | 258 | 50 |
| 637 015 00 | 637 115 00 | 637 215 00 | 637 315 00 | 637 415 00 | 16 x 32 | 32 | 16 | 16 | M16 | 26 | 32 | 64 | 300 | 282 | 70 |
| 637 016 00 | 637 116 00 | 637 216 00 | 637 316 00 | 637 416 00 | 16 x 64 | 32 | 16 | 16 | M16 | 26 | 64 | 96 | 430 | 410 | 80 |
| 637 020 00 | 637 120 00 | 637 220 00 | 637 320 00 | 637 420 00 | 20 x 40* | 40 | 20 | 20 | M20 | 34 | 40 | 80 | 680 | 600 | 130 |

Clevis with ES-bolt can be used as clevis joint.

* Size 20 is not part of the DIN.

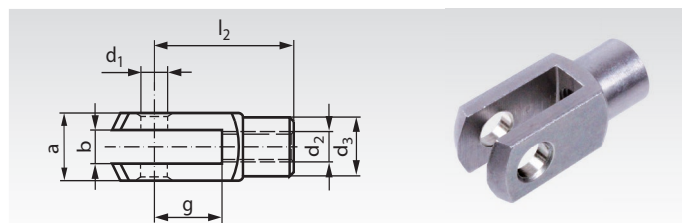
Clevis Joints similar DIN 71752, Stainless



Material: Stainless Steel 1.4305.
Design A: With bolt and circlip.

Ordering Details: e.g.: Product No. 637 990 01, Clevis DIN 71752, A 4 x 8, Right Hand, Stainless

Clevises similar DIN 71752, Stainless



Material: Stainless steel 1.4305.
Design G: Without bolt.

Ordering Details: e.g.: Product No. 637 992 01, Clevis DIN 71752, G 4 x 8, Right Hand, Stainless

| Product No. A right | Product No. A left | Product No. G right | Product No. G left | Size mm | a mm | b mm | d ₁ mm | d ₂ mm | d ₃ mm | g mm | l ₂ mm | Weight | |
|------------------------|-----------------------|------------------------|-----------------------|------------|---------|---------|----------------------|----------------------|----------------------|---------|----------------------|--------|--------|
| | | | | | | | | | | | | A g | G g |
| 637 990 01 | 637 991 01 | 637 992 01 | 637 993 01 | 4 x 8 | 8 | 4 | 4 | M4 | 8 | 8 | 16 | 6 | 5 |
| 637 990 02 | 637 991 02 | 637 992 02 | 637 993 02 | 4 x 16 | 8 | 4 | 4 | M4 | 8 | 16 | 24 | 8 | 7 |
| 637 990 03 | 637 991 03 | 637 992 03 | 637 993 03 | 5 x 10 | 10 | 5 | 5 | M5 | 9 | 10 | 20 | 10 | 9 |
| 637 990 04 | 637 991 04 | 637 992 04 | 637 993 04 | 5 x 20 | 10 | 5 | 5 | M5 | 9 | 20 | 30 | 14 | 13 |
| 637 990 05 | 637 991 05 | 637 992 05 | 637 993 05 | 6 x 12 | 12 | 6 | 6 | M6 | 10 | 12 | 24 | 16 | 15 |
| 637 990 06 | 637 991 06 | 637 992 06 | 637 993 06 | 6 x 24 | 12 | 6 | 6 | M6 | 10 | 24 | 36 | 23 | 22 |
| 637 990 07 | 637 991 07 | 637 992 07 | 637 993 07 | 8 x 16 | 16 | 8 | 8 | M8 | 14 | 16 | 32 | 38 | 37 |
| 637 990 08 | 637 991 08 | 637 992 08 | 637 993 08 | 8 x 32 | 16 | 8 | 8 | M8 | 14 | 32 | 48 | 55 | 54 |
| 637 990 09 | 637 991 09 | 637 992 09 | 637 993 09 | 10 x 20 | 20 | 10 | 10 | M10 | 18 | 20 | 40 | 80 | 74 |
| 637 990 10 | 637 991 10 | 637 992 10 | 637 993 10 | 10 x 40 | 20 | 10 | 10 | M10 | 18 | 40 | 60 | 120 | 116 |
| 637 990 11 | 637 991 11 | 637 992 11 | 637 993 11 | 12 x 24 | 24 | 12 | 12 | M12 | 20 | 24 | 48 | 125 | 121 |
| 637 990 12 | 637 991 12 | 637 992 12 | 637 993 12 | 12 x 48 | 24 | 12 | 12 | M12 | 20 | 48 | 72 | 180 | 175 |
| 637 990 13 | 637 991 13 | 637 992 13 | 637 993 13 | 14 x 28 | 27 | 14 | 14 | M14 | 24 | 28 | 56 | 190 | 178 |
| 637 990 14 | 637 991 14 | 637 992 14 | 637 993 14 | 14 x 56 | 27 | 14 | 14 | M14 | 24 | 56 | 85 | 265 | 258 |
| 637 990 15 | 637 991 15 | 637 992 15 | 637 993 15 | 16 x 32 | 32 | 16 | 16 | M16 | 26 | 32 | 64 | 300 | 282 |
| 637 990 16 | 637 991 16 | 637 992 16 | 637 993 16 | 16 x 64 | 32 | 16 | 16 | M16 | 26 | 64 | 96 | 430 | 410 |
| 637 990 20 | - | 637 992 20 | - | 20 x 40* | 40 | 20 | 20 | M20 | 34 | 40 | 80 | 680 | 600 |

* Size 20 is not part of the DIN.