

V-Belt Pulleys for Taper Bushes, 3 Grooves

Material: cast iron EN-GJL-250.

Taper V-belt pulleys similar to DIN 2211 or DIN 2217 matching narrow V-belts DIN 2215 und DIN 7753.

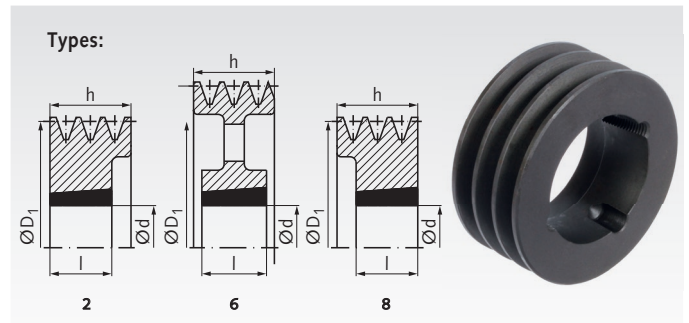
Design:

A = spoked pulley

B = dished pulley

V = solid pulley

Ordering Details: e.g.: Product No. 151 306 00, V-Belt Pulley for Taper Clamping Bush, 3 Grooves, Profile 10, Ø63 mm



Profile XPZ, SPZ and Z (10) with 3 Grooves

Product No.	Nominal Ø D ₁ mm	Design	Type	h mm	l mm	Relation of Hub to Rim	Bush No.	Bore d mm	Weight approx. kg
151 306 00	63	V	8	40	22	one-sided set back 18	1108	9 - 28	0,58
151 307 00	71	V	8	40	22	one-sided set back 18	1108	9 - 28	0,64
151 308 00	80	V	8	40	25	one-sided set back 15	1210	10 - 32	0,75
151 309 00	90	V	8	40	25	one-sided set back 15	1610	12 - 42	0,88
151 310 00	100	V	8	40	25	one-sided set back 15	1610	12 - 42	1,20
151 311 00	112	V	8	40	32	one-sided set back 8	2012	12 - 50	1,40
151 312 00	125	V	2	40	32	one-sided set back 8	2012	12 - 50	2,00
151 314 00	140	V	2	40	32	one-sided set back 8	2012	12 - 50	2,70
151 316 00	160	V	2	40	32	one-sided set back 8	2012	12 - 50	3,90
151 318 00	180	B	6	40	32	one-sided set back 8	2012	12 - 50	3,20
151 320 00	200	B	6	40	32	set back on both sides 4	2012	12 - 50	3,70
151 322 00	224	B	6	40	32	set back on both sides 4	2012	12 - 50	4,20
151 325 00	250	B	6	40	32	set back on both sides 4	2012	12 - 50	4,80
151 328 00	280	A	6	40	45	projecting on both sides 2.5	2517	15 - 65	7,10
151 331 00	315	A	6	40	45	projecting on both sides 2.5	2517	15 - 65	7,50

Profile XPA, SPA and A (13) with 3 Grooves

Product No.	Nominal Ø D ₁ mm	Design	Type	h mm	l mm	Relation of Hub to Rim	Bush No.	Bore d mm	Weight approx. kg
153 308 00	80	V	8	50	25	one-sided set back 25	1210	10 - 32	0,8
153 309 00	90	V	8	50	25	one-sided set back 25	1610	12 - 42	1,0
153 310 00	100	V	2	50	25	one-sided set back 25	1610	12 - 42	1,4
153 311 00	112	V	8	50	32	one-sided set back 18	2012	12 - 50	1,6
153 312 00	125	V	2	50	32	one-sided set back 18	2012	12 - 50	2,3
153 314 00	140	V	8	50	45	one-sided set back 5	2517	15 - 65	2,9
153 316 00	160	V	8	50	45	one-sided set back 5	2517	15 - 65	3,8
153 318 00	180	V	8	50	45	one-sided set back 5	2517	15 - 65	6,1
153 320 00	200	B	6	50	45	set back on both sides 2.5	2517	15 - 65	5,5
153 322 00	224	B	6	50	45	set back on both sides 2.5	2517	15 - 65	6,2
153 325 00	250	B	6	50	45	set back on both sides 2.5	2517	15 - 65	6,8
153 328 00	280	B	6	50	45	set back on both sides 2.5	2517	15 - 65	7,6
153 331 00	315	A	6	50	51	projecting on both sides 0.5	3020	20 - 75	11,0

Profile XPB, SPB and B (17) with 3 Grooves

Product No.	Nominal Ø D ₁ mm	Design	Type	h mm	l mm	Relation of Hub to Rim	Bush No.	Bore d mm	Weight approx. kg
155 310 00	100	V	8	63	25	one-sided set back 38	1610	12 - 42	1,7
155 311 00	112	V	8	63	25	one-sided set back 38	1610	12 - 42	2,0
155 312 00	125	V	2	63	32	one-sided set back 31	2012	12 - 50	2,7
155 314 00	140	V	2	63	32	one-sided set back 31	2012	12 - 50	3,5
155 316 00	160	V	2	63	45	one-sided set back 18	2517	15 - 65	4,8
155 318 00	180	V	2	63	45	one-sided set back 18	2517	15 - 65	6,6
155 320 00	200	V	2	63	45	one-sided set back 18	2517	15 - 65	8,6
155 322 00	224	B	6	63	45	one-sided set back 18	2517	15 - 65	8,1
155 325 00	250	B	6	63	51	one-sided set back 12	3020	20 - 75	11,0
155 328 00	280	B	6	63	51	set back on both sides 6	3020	20 - 75	13,0
155 331 00	315	B	6	63	51	set back on both sides 6	3020	20 - 75	15,5



Matching Taper bushes see page 340.
Mounting instructions see page 867.

*Other diameters or larger number of grooves
at short notice, on request.*