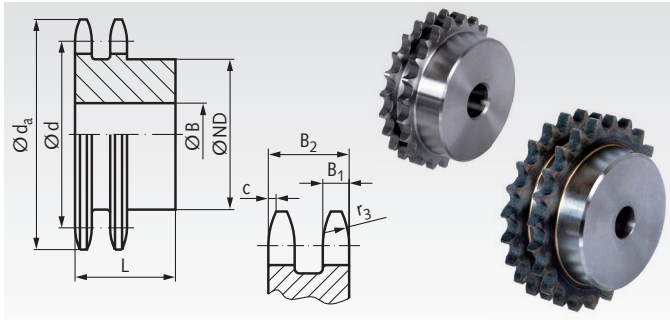


## Double-Strand Sprockets, One-Sided Hub, ISO 06 B-2



**Material:** Steel C45, optionally hardened.  
Pre-bored. Sprockets marked with \* from grey cast iron GG25.

**Type ZRS:** Not hardened.

**Type ZRG:** Teeth induction hardened (approx. HRC 50).

Ordering Details: e.g.: Product No. 121 108 00, ZRS, ISO 06 B-2, 8 Teeth

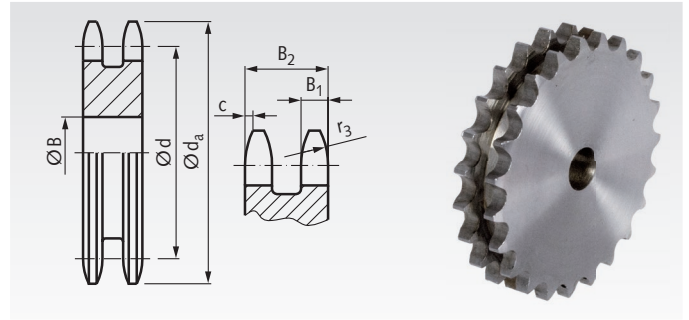
**ISO 06 B-2, Pitch 3/8 x 7/32",**  
 $B_1 = 5.2 \text{ mm}$ ,  $B_2 = 15.4 \text{ mm}$   $c = 1.0 \text{ mm}$ ,  $r_3 = 10 \text{ mm}$

Product No. ZRS	Product No. ZRG	Number of teeth	$d_a$ mm	$d$ mm	ND mm	$B$ mm	$L$ mm	Weight g
121 108 00	121 881 08	8	28,0	24,89	15	6	22	40
121 109 00	121 881 09	9	31,0	27,85	18	8	22	50
121 110 00	121 881 10	10	34,0	30,82	20	8	22	70
121 111 00	121 881 11	11	37,0	33,80	22	10	25	87
121 112 00	121 881 12	12	40,0	36,80	25	10	25	110
121 113 00	121 881 13	13	43,0	39,79	28	10	25	141
121 114 00	121 881 14	14	46,3	42,80	31	10	25	170
121 115 00	121 881 15	15	49,3	45,81	34	10	25	202
121 116 00	121 881 16	16	52,3	48,82	37	12	30	268
121 117 00	121 881 17	17	55,3	51,83	40	12	30	315
121 118 00	121 881 18	18	58,3	54,85	43	12	30	363
121 119 00	121 881 19	19	61,3	57,87	46	12	30	409
121 120 00	121 881 20	20	64,3	60,89	49	12	30	473
121 121 00	121 881 21	21	68,0	63,91	52	12	30	533
121 122 00	121 881 22	22	71,0	66,93	55	12	30	597
121 123 00	121 881 23	23	73,5	69,95	58	12	30	662
121 124 00	121 881 24	24	77,0	72,97	61	12	30	733
121 125 00	121 881 25	25	80,0	76,00	64	12	30	804
121 126 00	121 881 26	26	83,0	79,02	67	12	30	878
121 127 00	121 881 27	27	86,0	82,05	70	12	30	956
121 128 00	121 881 28	28	89,0	85,07	73	12	30	1038
121 130 00	121 881 30	30	94,7	91,12	79	12	30	1222
121 132 00	121 881 32	32	101,3	97,17	80	16	30	1312
121 135 00	121 881 35	35	110,4	106,26	80	16	30	1483
121 138 00	121 881 38	38	119,5	115,35	90	16	30	1807
121 140 00	121 881 40	40	125,5	121,40	90	16	30	1926
121 145 00*	-	45	140,7	136,55	80	20	40	2194
121 157 00*	-	57	176,9	172,91	80	20	40	2247
121 176 00*	-	76	234,9	230,49	80	20	40	2760



Sprockets marked with \* are made from grey cast iron GG25.

## Double-Strand plate wheels ZRL, ISO 06 B-2

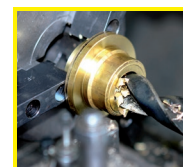


**Material:** Low-carbon steel, not hardable.  
Pre-bored.

Ordering Details: e.g.: Product No. 121 211 00, ZRL, ISO 06 B-2, 11 Teeth

**ISO 06 B-2, Pitch 3/8 x 7/32",**  
 $B_1 = 5.2 \text{ mm}$ ,  $B_2 = 15.4 \text{ mm}$   $c = 1.0 \text{ mm}$ ,  $r_3 = 10 \text{ mm}$

Product No. ZRL	Number of teeth	$d_a$ mm	$d$ mm	$B$ mm	Weight g
121 211 00	11	37,0	33,80	10	63
121 212 00	12	40,0	36,80	10	78
121 213 00	13	43,0	39,79	10	102
121 214 00	14	46,3	42,80	10	118
121 215 00	15	49,3	45,81	10	140
121 216 00	16	52,3	48,82	12	158
121 217 00	17	55,3	51,83	12	187
121 218 00	18	58,3	54,85	12	216
121 219 00	19	61,3	57,87	12	238
121 220 00	20	64,3	60,89	12	273
121 221 00	21	68,0	63,91	12	303
121 223 00	23	73,5	69,95	12	370
121 224 00	24	77,0	72,97	12	408
121 225 00	25	80,0	76,02	12	451
121 226 00	26	83,0	79,02	16	495
121 227 00	27	86,0	82,05	16	514
121 228 00	28	89,0	85,07	16	567
121 230 00	30	94,7	91,12	16	659
121 232 00	32	101,3	97,17	16	773
121 235 00	35	110,4	106,26	16	930
121 238 00	38	119,5	115,35	16	1122
121 240 00	40	125,5	121,40	16	1227
121 245 00	45	140,7	136,55	20	1600
121 248 00	48	149,7	145,64	20	1810
121 254 00	54	167,8	163,82	20	2278
121 257 00	57	176,9	172,91	20	2600
121 276 00	76	234,9	230,49	25	4744
121 283 00	95	292,5	288,08	25	7479
121 288 00	114	349,5	345,68	25	10787



**Reworking within  
24h-service possible.  
Custom made parts  
on request.**