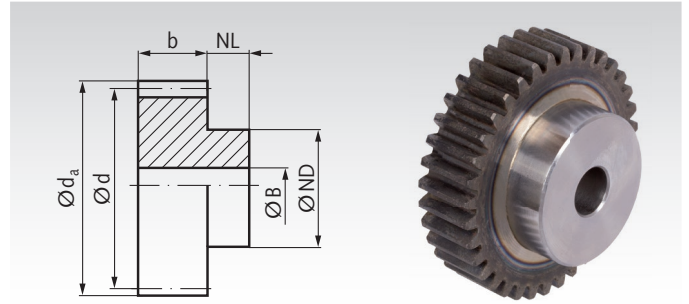


Spur Gears with One-Sided Hub, Milled Teeth, Straight Tooth System, Teeth Induction Hardened

Material: C45. Teeth milled in quality 8d25 DIN 3967.
 After milling, the tooth area is induction hardened, 54 + 4 HRC.
 The hardening sets the tooth quality to 10-11.
 Pressure angle 20°.



Ordering Details: e.g.: Product No. 232 881 12, Spur Gear, Hardened, Module 2.5, 12 Teeth

Module 2.5 Tooth Width b = 25 mm

Product No.	Number of teeth	b mm	d _a mm	d mm	NL mm	ND mm	BH7 mm	perm. MT* Nm	Weight kg
232 881 12	12	25	35	30	20	22	10	19,5	0,17
232 881 15	15	25	42,5	37,5	20	30	10	27,4	0,30
232 881 16	16	25	45	40	20	32	12	28,4	0,33
232 881 18	18	25	50	45	20	35	12	34,3	0,42
232 881 20	20	25	55	50	20	40	12	44,2	0,54
232 881 22	22	25	60	55	20	45	14	56	0,66
232 881 24	24	25	65	60	20	45	14	69	0,74
232 881 25	25	25	67,5	62,5	20	50	14	75	0,85
232 881 30	30	25	80	75	20	55	14	115	1,18
232 881 32	32	25	85	80	20	55	16	134	1,28
232 881 36	36	25	95	90	20	60	16	176	1,61
232 881 40	40	25	105	100	20	70	16	235	2,06
232 881 50	50	25	130	125	20	80	20	446	3,07
232 881 60	60	25	155	150	20	100	20	716	4,57

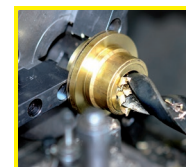
Module 3 Tooth Width b = 30 mm

Product No.	Number of teeth	b mm	d _a mm	d mm	NL mm	ND mm	BH7 mm	perm. MT* Nm	Weight kg
233 881 12	12	30	42	36	20	27	12	35	0,28
233 881 14	14	30	48	42	20	33	12	44	0,41
233 881 15	15	30	51	45	20	35	12	49	0,47
233 881 16	16	30	54	48	20	38	14	53	0,54
233 881 17	17	30	57	51	20	42	14	57	0,63
233 881 18	18	30	60	54	20	45	14	63	0,72
233 881 20	20	30	66	60	20	45	14	81	0,84
233 881 22	22	30	72	66	20	50	16	101	1,02
233 881 24	24	30	78	72	20	50	16	124	1,18
233 881 25	25	30	81	75	20	60	16	137	1,39
233 881 30	30	30	96	90	20	60	16	210	1,85
233 881 32	32	30	102	96	20	70	16	246	2,21
233 881 35	35	30	111	105	20	70	16	323	2,55
233 881 36	36	30	114	108	20	70	20	350	2,62
233 881 40	40	30	126	120	20	80	20	472	3,31
233 881 50	50	30	156	150	20	100	20	851	5,18
233 881 60	60	30	186	180	20	100	20	1442	6,97

Module 4 Tooth Width b = 40 mm

Product No.	Number of teeth	b mm	d _a mm	d mm	NL mm	ND mm	BH7 mm	perm. MT* Nm	Weight kg
234 881 12	12	40	56	48	20	35	14	86	0,63
234 881 13	13	40	60	52	20	40	14	99	0,78
234 881 14	14	40	64	56	20	45	14	112	0,93
234 881 15	15	40	68	60	20	45	14	125	1,05
234 881 16	16	40	72	64	20	50	16	132	1,20
234 881 17	17	40	76	68	20	50	16	139	1,33
234 881 18	18	40	80	72	20	50	16	158	1,47
234 881 20	20	40	88	80	20	60	16	201	1,90
234 881 22	22	40	96	88	20	70	16	257	2,39
234 881 24	24	40	104	96	20	75	20	314	2,79
234 881 25	25	40	108	100	20	75	20	360	2,98
234 881 30	30	40	128	120	20	75	20	611	4,06
234 881 32	32	40	136	128	20	80	20	726	4,64
234 881 35	35	40	148	140	20	80	20	917	5,43
234 881 36	36	40	152	144	20	80	25	987	5,63
234 881 40	40	40	168	160	20	80	25	1300	6,74
234 881 50	50	40	208	200	20	100	25	2343	10,66
234 881 60	60	40	248	240	20	100	25	3732	14,92

* Basis of calculations see page 197.



**Reworking within
24h-service possible.
Custom made parts
on request.**