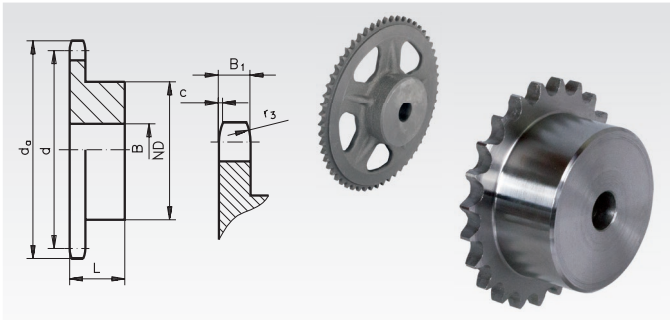


Sprockets KRS with One-Sided Hub, ISO 24 B-1



Material: Steel C45, not hardened.
Pre-bored.
Sprockets marked with * are made from grey cast iron GG25.
Sprockets marked with 1) with welded in hub.

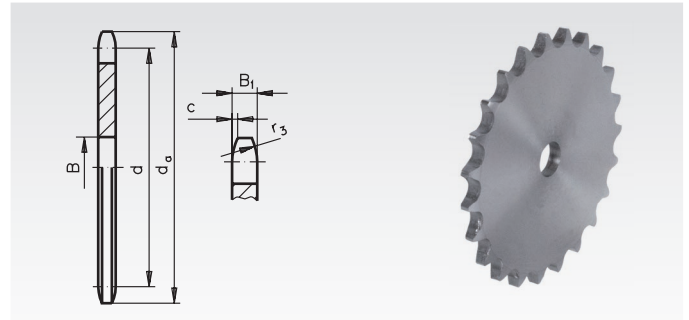
Ordering Details: e.g.: Product No. 110 110 00, KRS, ISO 24 B-1, 10 Teeth

**ISO 24 B-1, Pitch 1 1/2 x 1",
B₁ = 24.1 mm, c = 4.0 mm, r₃ = 38 mm**

Product No.	Number of teeth	d _a mm	d mm	ND mm	B mm	L mm	Weight kg
110 110 00	10	138,0	123,29	80	20	45	2,55
110 111 00	11	150,0	135,21	90	25	50	3,40
110 112 00	12	162,0	147,22	102	25	50	4,20
110 113 00	13	174,2	159,18	114	25	50	5,20
110 114 00	14	186,2	171,22	128	25	50	6,20
110 115 00	15	198,2	183,26	132	25	50	7,30
110 116 00	16	210,3	195,30	136	25	55	8,90
110 117 00	17	222,3	207,34	136	25	55	9,50
110 118 00	18	234,3	219,42	136	25	55	10,30
110 119 00	19	246,5	231,49	136	25	55	10,90
110 120 00	20	258,6	243,57	136	25	55	11,80
110 121 00	21	270,6	255,65	150	30	60	13,70
110 123 00	23	294,8	279,80	150	30	60	15,40
110 125 00	25	319,0	304,00	150	30	60	17,50
110 128 00	28 ¹⁾	355,2	340,27	150	30	60	21,50
110 130 00	30 ¹⁾	379,5	364,50	150	30	60	24,00
110 138 00	38 ¹⁾	476,2	461,39	160	30	60	35,60
110 145 00*	45	561,2	546,20	140	45	90	26,50
110 157 00*	57	706,5	691,63	160	45	100	39,50

Sprockets marked with * are made from grey cast iron GG25.

Plate wheels KRL, ISO 24 B-1



Material: Low-carbon steel, not hardable.
Pre-bored.

Ordering Details: e.g.: Product No. 110 210 00, KRL, ISO 24 B-1, 10 Teeth

**ISO 24 B-1, Pitch 1 1/2 x 1",
B₁ = 24.1 mm, c = 4.0 mm, r₃ = 38 mm**

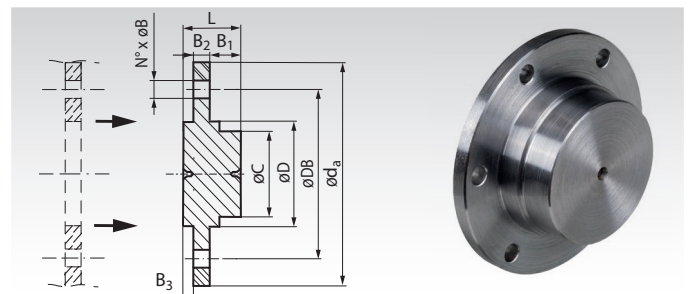
Product No.	Number of teeth	d _a mm	d mm	B mm	Weight kg
110 210 00	10	138,0	123,29	20	1,80
110 211 00	11	150,0	135,21	25	2,20
110 212 00	12	162,0	147,22	25	2,60
110 213 00	13	174,2	159,18	25	3,10
110 214 00	14	186,2	171,22	25	3,60
110 215 00	15	198,2	183,26	25	4,30
110 216 00	16	210,3	195,30	25	4,90
110 218 00	18	234,3	219,42	25	6,30
110 220 00	20	258,6	243,57	25	7,80
110 222 00	22	282,7	267,73	30	9,50
110 224 00	24	306,8	291,88	30	11,30
110 228 00	28	355,2	340,27	30	15,60
110 230 00	30	379,5	364,50	30	18,00
110 235 00	35	440,0	425,04	30	26,00
110 238 00	38	476,2	461,39	30	30,80
110 245 00	45	561,2	546,20	30	42,00
110 248 00	48	597,4	582,55	30	48,00
110 254 00	54	670,2	655,28	30	60,50
110 257 00	57	706,5	691,63	30	66,80

Bolt-on Hubs for Plate Wheels

Material: Steel.

Hub for fixing a chain plate wheel or similar parts onto a shaft. The wheel must get a center hole Ø D (recommended tolerance: H8) and bores for mounting bolts. The bolt length depends on the wheel width. Bolts and nuts are not included. The wheel has to be ordered separately. Customized bores and keyway available at extra charge. Reworking like hub hole for the shaft against extra charge.

Ordering Details: e.g.: Product No. 140 901 80, Bolt-on Hubs for Plate Wheels, Outer Diameter 55mm, Length 20mm



Product No.	Ød _a mm	L mm	ØD ^{h9} mm	ØC mm	B ₁ mm	B ₂ mm	B ₃ mm	ØDB mm	N° mm	ØB mm	Pos. mm	Weight kg
140 901 80	55	20,0	30	27	13,0	4	3,0	45	6	4,2	60°	0,16
140 901 81	70	25,0	40	37	14,8	5	5,2	58	6	5,2	60°	0,33
140 901 82	80	32,0	50	47	18,0	7	7,0	67	6	6,2	60°	0,33
140 901 83	90	38,5	60	55	22,8	7	8,7	76	6	6,2	60°	0,98
140 901 84	110	45,5	70	65	27,0	8	10,5	94	6	8,2	60°	1,42
140 901 85	130	55,0	80	75	28,0	12	15,0	107	6	8,2	60°	2,85
140 901 86	170	73,0	100	95	33,0	17	23,0	140	6	10,2	60°	6,32
140 901 87	220	83,0	140	135	40,0	20	23,0	182	6	12,2	60°	13,28
140 901 88	245	93,0	160	155	43,0	25	25,0	205	6	16,5	60°	19,48