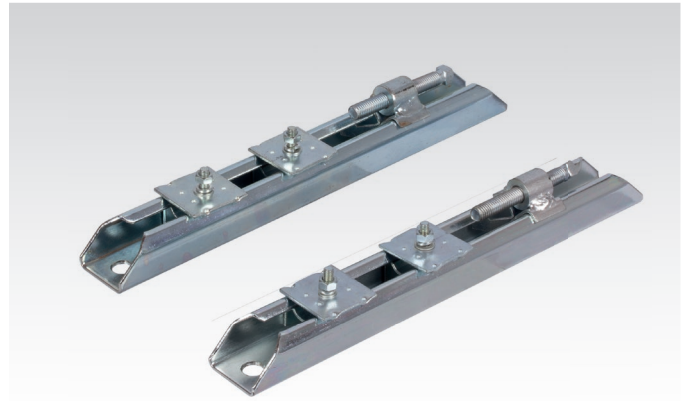
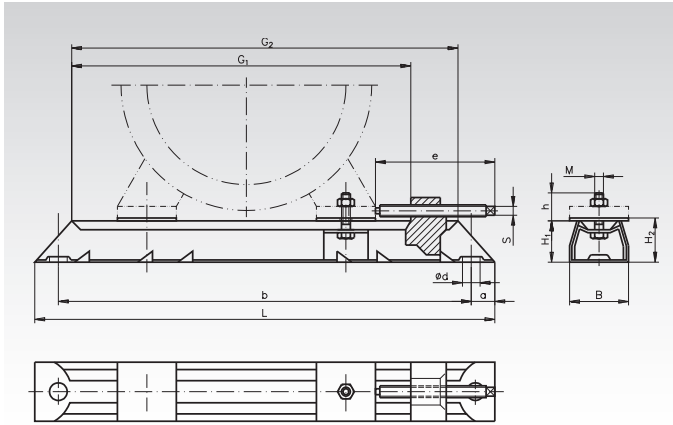


Motor-Tensioning Rail Sets, Made from Steel, SPS, with Movable Attachment Clamps



Ordering details: e.g.: Type, Overall Length, Product No.

Sold in pairs: 1 x Product No. = 1 pair

Product No. Pair	Overall Length L mm	Sliding Length G ₁ mm	Motor Size	M x h mm	e x S mm	G ₂ mm	a mm	b mm	Ød mm	B mm	H ₁ mm	H ₂ mm	Weight kg
430 180 00	312	240	63/71	M6 x 19	75 x 6	262	16	280	12	40	28	30	1,5
430 182 00	395	302	80/90	M8 x 28	97 x 8	325	20	355	12	50	40	43	3,3
430 184 00	495	405	100/112/132	M10 x 35	97 x 8	425	20	455	12	50	40	43	4,15
430 186 00	630	515	132	M10 x 37	119 x 9	542	25	580	14	60	50	54	8,1

Frequency Inverters
Page 744



Models Helical Geared Motors (The pictures only show the models, not the gearbox version)

