

Idlers 712 AV Made from Cast Iron with One-Sided Flange

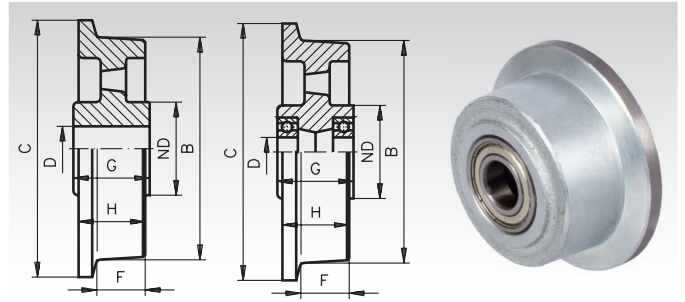
Material: Grey cast iron GG25, zinc-plated.

Flange and running surface precisely turned, running surface inclined at 3° towards the axle, wheel mounting optionally with plain or roller bearing. As standard the roller bearings are sealed with Z-plates (all dimensions and weights „ca.“).

Temperature range:

with plain bearing: -30°C to +180°C.

with ball bearing: -30°C to +90°C (for short time up to +110°C).



Ordering Details: e.g.: Product No. 775 005 00, Idler 712 V as Plain Bearing, Wheel Ø 50 o.S.

Version with Plain Bearing (Dimensions in mm)

Product No.	Wheel Ø without Flange B	Wheel Ø with Flange C	Wheel Width with Flange H	Running Surface F	Hub Length symmetric G	Hub-Ø ND	Bore Ø D	Wheel Load max. kg	Weight kg
775 005 00	50	62	32	26	-	-	15 ^{+0,2}	400	0,6
775 007 00	75	100	40	30	47	40	20 ^{+0,2}	800	1,3
775 010 00	100	125	46	36	52	45	20 ^{+0,2}	1000	2,3
775 012 00	125	145	46	36	52	45	20 ^{+0,2}	1000	2,7
775 015 00	150	175	46	36	52	62	20 ^{+0,2}	1000	3,5
775 018 00	180	210	47	36	52	65	30 ^{+0,2}	1200	4,7
775 020 00	200	230	56	38	60	90	30 ^{+0,2}	1500	7,7
775 025 00	250	300	65	50	70	90	40 ^{+0,2}	2000	13,5

Version with Ball Bearing (Dimensions in mm)

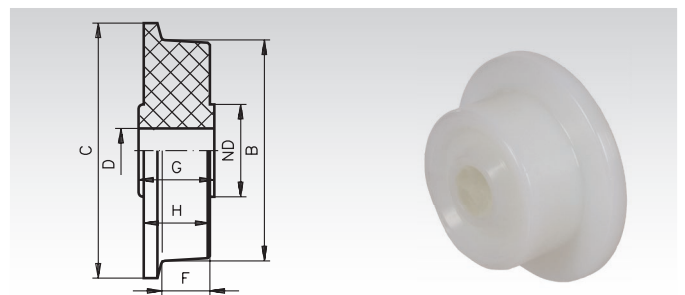
Product No.	Wheel Ø without Flange B	Wheel Ø with Flange C	Wheel Width with Flange H	Running Surface F	Hub Length symmetric G	Hub-Ø ND	Bore Ø D	Wheel Load max. kg	Weight kg
775 207 00	75	100	40	30	47	54	20	800	1,3
775 210 00	100	125	46	36	52	62	20	1000	2,4
775 212 00	125	145	46	36	52	62	20	1000	2,8
775 215 00	150	175	46	36	52	62	20	1000	3,5
775 218 00	180	210	47	36	52	65	20	1200	4,7
775 220 00	200	230	56	38	60	90	25	1500	7,7
775 225 00	250	300	65	50	70	90	30	2000	12,8

Idlers Made from Polyamide with One-Sided Flange

This Polyamide grade has a high abrasion resistance with low friction coefficient, is self lubricating and can thus, at low speeds, easily be used as plain bearing.

Temperature range: -40°C to +80°C.

* Above +35°C, the load has to be reduced. At the max. temperature, the max. load capacity is only 40 to 50% of the load shown in the table.



Ordering Details: e.g.: Product No. 775 405 00, Idler Polyamide, Wheel Ø 50

Runner Wheels Made from Polyamide (dimensions in mm)

Product No.	Wheel Ø without Flange B	Wheel Ø with Flange C	Wheel Width with Flange H	Running Surface F	Hub Length symmetric G	Hub-Ø ND	Bore Ø D	Wheel Load* max. kg	Weight kg
775 405 00	50	70	30	20	30	-	16	100	0,065
775 406 00	62	80	26	18	30	35	16	100	0,090
775 409 00	87	108	32	25	32	-	16	200	0,220
775 410 00	100	120	45	32	40	50	20	280	0,360

Note Regarding Polyamide Wheels

Inside these die-cast parts are some cavities caused by production. These parts should therefore not be drilled too deep. With larger bores or when grooving the cavities might become visible. This often does not affect the functionality.