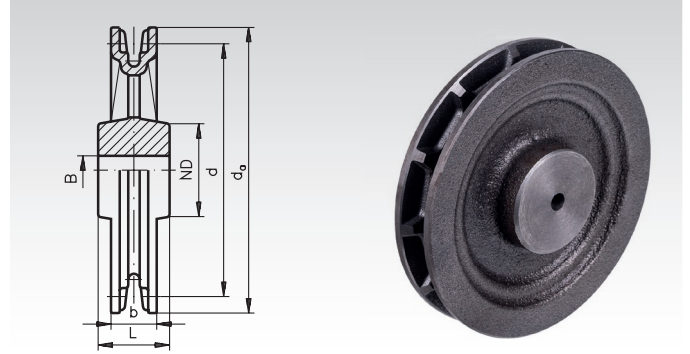


Chain Wheels with Teeth (Hasp Wheels)

Material: Grey cast iron GG25.

Matching chains in accordance with DIN 766 A.
Teeth cast, hub unfinished and without bore,
some with core hole.

All dimensions and weights „ca.“.



Ordering Details: e.g.: Product No. 771 104 00, Hasp Wheel, 4 teeth, 4 mm

Chain Width 4 mm, Pitch 16 mm

Product No.	Number of teeth	d _a mm	d mm	b mm	ND mm	L mm	B approx. mm	Weight kg
771 104 00	4	56	41	24	40	30	8	0,3
771 108 00	8	96	81	28	50	35	8	1,0
771 112 00	12	140	122	25	50	40	8	1,5
771 115 00	15	165	153	24	50	40	8	2,4
771 118 00	18	200	183	26	50	40	10	2,6

Chain Width 5 and 6 mm, Pitch 18.5 mm

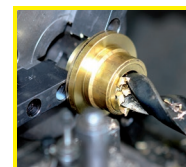
Product No.	Number of teeth	d _a mm	d mm	b mm	ND mm	L mm	B approx. mm	Weight kg
771 206 00	6	95	71	32	50	50	8	1,2
771 207 00	7	110	82	34	60	50	8	1,9
771 208 00	8	120	94	32	50	50	8	2,0
771 210 00	10	135	118	32	60	50	10	2,4
771 212 00	12	165	141	33	60	50	10	3,2
771 214 00	14	185	165	32	65	50	12	4,3
771 215 00	15	200	177	32	65	50	12	3,2
771 216 00	16	215	188	31	65	50	15	3,8
771 218 00	18	235	212	35	60	50	15	5,0
771 220 00	20	260	236	33	60	50	20	5,0
771 224 00	24	300	283	33	60	50	20	5,5
771 226 00	26	335	306	37	70	60	25	7,5
771 230 00	30	380	353	35	70	60	25	9,0
771 236 00	36	450	424	35	90	85	25	12,0
771 240 00	40	500	470	39	100	75	25	17,0
771 250 00	50	620	589	41	100	75	25	27,0

Chain Width 8 mm, Pitch 24 mm

Product No.	Number of teeth	d _a mm	d mm	b mm	ND mm	L mm	B approx. mm	Weight kg
771 406 00	6	115	92	45	80	65	10	3,0
771 408 00	8	162	122	45	80	65	12	4,6
771 410 00	10	180	153	45	80	65	20	5,0
771 412 00	12	212	183	45	80	65	20	6,0
771 414 00	14	245	214	45	80	65	20	7,5
771 418 00	18	305	275	46	90	70	20	12,0
771 424 00	24	390	367	46	120	70	25	15,0

Chain Width 10 mm, Pitch 28 mm

Product No.	Number of teeth	d _a mm	d mm	b mm	ND mm	L mm	B approx. mm	Weight kg
771 605 00	5	115	89	56	60	65	10	3,0
771 608 00	8	170	140	50	80	70	20	6,5
771 612 00	12	250	214	52	140	75	20	13,0



**Reworking within
24h-service possible.
Custom made parts
on request.**