

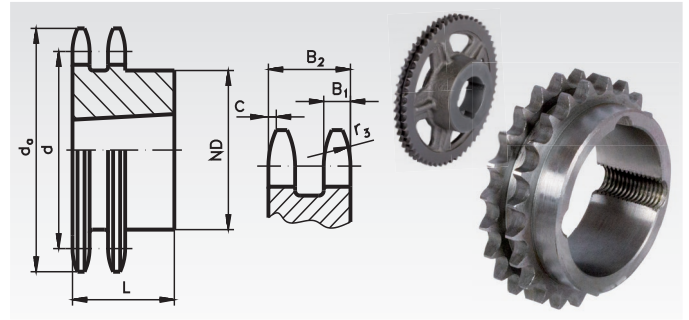
Double Sprockets ZRT for Taper Bushes

Material: Steel C45, not hardened or grey cast iron.

Sprockets for taper bushes, for easy and fast mounting.
The taper bush has to be ordered separately, see page 340.

Product numbers ending with G are made from grey cast iron GG25.

Ordering Details: e.g.: Product No. 128 771 13, ZRT, ISO 16 B-2, 13 Teeth,
Dimension bore with Reference to Taper Bush Type, see page 340.



ISO 16 B-2, Pitch 1" x 17.02 mm,
B₁ = 16.2 mm, B₂ = 47.7 mm, c = 2.5 mm, r₃ = 26 mm

Product No. ZRT	Number of teeth	d _a mm	d mm	ND mm	L mm	Weight kg	Taper bush
128 771 13	13	117,0	106,21	-	47,7	1,70	1610
128 771 14	14	125,0	114,15	-	47,7	1,90	1610
128 771 15	15	133,0	122,17	-	47,7	2,11	2012
128 771 16	16	141,0	130,20	-	47,7	2,25	2517
128 771 17	17	149,0	138,22	-	47,7	2,53	2517
128 771 18	18	157,0	146,28	-	47,7	3,10	2517
128 771 19	19	165,2	154,33	-	47,7	3,80	2517
128 771 20	20	173,2	162,38	-	47,7	4,10	2517
128 771 21	21	181,2	170,43	140	51	4,15	3020
128 771 22	22	189,3	178,48	150	51	4,90	3020
128 771 23	23	197,5	186,53	140	51	5,69	3020
128 771 24	24	205,5	194,59	166	51	6,00	3020
128 771 25	25	213,5	202,66	140	51	6,38	3020
128 771 26	26	221,6	210,72	175	51	7,80	3020
128 771 27	27	229,6	218,79	175	51	9,27	3020
128 771 28	28	237,7	226,85	175	51	11,4	3020
128 771 30	30	254,0	243,00	140	51	13,5	3020
128 771 38	38	320,7	307,59	140	51	16,0	3020
128 771 38G	38	320,7	307,59	160	76	14,9	3030
128 771 45	45	377,1	364,13	140	51	30,0	3020
128 771 45G	45	377,1	364,13	160	76	17,5	3030
128 771 57	57	474,0	461,08	175	65	45,0	3525
128 771 57G	57	474,0	461,08	175	89	25,6	3535
128 771 76	76	627,0	614,65	175	65	110,0	3525
128 771 76G	76	627,0	614,65	175	89	32,0	3535
128 771 83G	95	781,1	768,22	215	102	55,0	4040
128 771 88G	114	943,3	921,81	215	102	88,0	4040

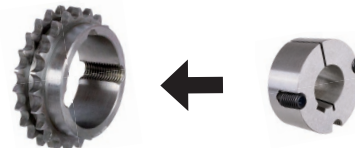
ISO 20 B-2, Pitch 1 1/4" x 3/4",
B₁ = 18.5 mm, B₂ = 54.6 mm, c = 3.5 mm, r₃ = 32 mm

Product No. ZRT	Number of teeth	d _a mm	d mm	ND mm	L mm	Weight kg	Taper bush
129 771 38G	38	399,6	384,49	160	76	22	3030
129 771 57G	57	591,5	576,36	175	89	37	3535
129 771 76G	76	783,5	768,32	175	89	46	3535



Product numbers ending with G are made from grey cast iron GG25.

Taper bushes page 340



ISO 24 B-2, Pitch 1 1/2" x 1",
B₁ = 24.1 mm, B₂ = 72 mm, c = 4 mm, r₃ = 38 mm

Product No. ZRT	Number of teeth	d _a mm	d mm	ND mm	L mm	Weight kg	Taper bush
129 775 38G	38	476,2	461,39	175	89	44	3535
129 775 45G	45	561,2	546,20	175	89	55	3535
129 775 57G	57	706,5	691,63	175	89	63	3535
129 775 76G	76	936,9	921,98	240	102	107	4040

Description and mounting instructions page 867

