

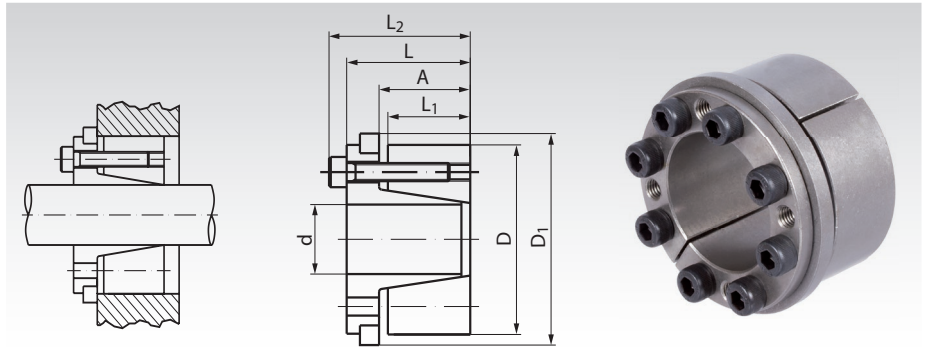
Locking Assemblies COM-C

Material: Steel.

- For fixing a hub (e.g. drive wheel, rotor or similar) on a shaft.
- For medium to high torques.
- Self-centering.
- No axial offset.

Concentricity: 0.02 to 0.04 mm.

Ordering Details: e.g.: Product No. 615 571 19, Locking Assembly COM-C, 19 mm



Product No.	d mm	D mm	L ₁ mm	A mm	L mm	L ₂ mm	D ₁ mm	at T _A transmittable		Surface Pressure		Screws DIN 912 12.9 Number x size	T _A Nm	Weight kg
								T Nm	F _{ax} kN	Shaft P _w N/mm ²	Hub P _N N/mm ²			
615 571 19	19	47	26	31	39	45	53	294	20	228	96	4x M6x20	17	0,45
615 571 20	20	47	26	31	39	45	53	320	33	172	74	6x M6x20	17	0,37
615 571 22	22	47	26	31	39	45	53	366	33	158	74	6x M6x20	17	0,40
615 571 24	24	50	26	31	39	45	56	380	34	139	67	6x M6x20	17	0,45
615 571 25	25	50	26	31	39	45	56	430	35	144	72	6x M6x20	17	0,44
615 571 28	28	55	26	31	39	45	61	480	35	128	66	6x M6x20	17	0,50
615 571 30	30	55	26	31	39	45	61	530	35	120	68	6x M6x20	17	0,45
615 571 32	32	60	26	31	39	45	66	680	43	138	76	8x M6x20	17	0,59
615 571 35	35	60	26	31	39	45	66	780	43	134	79	8x M6x20	17	0,53
615 571 38	38	65	26	31	39	45	71	860	45	125	70	8x M6x20	17	0,62
615 571 40	40	65	26	31	39	45	71	860	45	115	67	8x M6x20	17	0,60
615 571 42	42	75	30	36	47	55	81	1350	60	138	77	6x M8x30	41	1,05
615 571 45	45	75	30	36	47	55	81	1450	60	129	77	6x M8x30	41	0,98
615 571 48	48	80	30	36	47	55	86	1550	60	125	73	6x M8x30	41	1,30
615 571 50	50	80	30	36	47	55	86	1570	70	109	69	6x M8x30	41	1,00
615 571 55	55	85	30	36	47	55	91	2400	80	142	95	8x M8x30	41	1,10
615 571 60	60	90	30	36	47	55	96	2500	80	125	86	8x M8x30	41	1,20
615 571 65	65	95	30	36	47	55	102	2700	90	113	78	8x M8x30	41	1,25
615 571 70	70	110	40	46	61	71	117	4500	130	120	77	8x M10x35	83	2,40
615 571 75	75	115	40	46	61	71	122	5000	130	119	79	8x M10x35	83	2,70
615 571 80	80	120	40	46	61	71	127	5300	130	109	74	8x M10x35	83	2,70
615 571 85	85	125	40	46	61	71	132	7000	160	129	89	10x M10x35	83	3,00
615 571 90	90	130	40	46	61	71	137	7400	160	123	83	10x M10x35	83	3,00
615 571 95	95	135	40	46	61	71	142	7500	170	109	81	10x M10x35	83	3,00
615 572 00	100	145	46	52	70	82	153	9400	190	112	78	8x M12x40	145	5,50

More sizes up to d=180mm for 34,600Nm are available.

Price and delivery time on request.

T = transmittable torque at F_{ax} = 0.

F_{ax} = transmittable axial force at T = 0.

P_w = surface pressure onto the shaft.

P_N = surface pressure onto the hub.

T_A = fastening torque of the screws.

Fit

Shaft h8, Hub H8.
Surface roughness hub/shaft max.
12.5µm.

Mounting

Slightly oil the locking assembly before mounting, do not use MoS2 or grease.
Tighten the screws evenly and crosswise in several steps to the set torque.

Demounting

Remove all tensioning screws and screw them into the unused forcing threads of the front flange evenly and crosswise in several steps, until the flange is released.