

Spoked Handwheels DIN 950 with Smooth Rim and Slanted Spokes, with Square Hole

Material: Grey cast iron GG25. Rim turned and polished.
Hub surface machined, square hole reamed true to gauge.

Number of spokes:

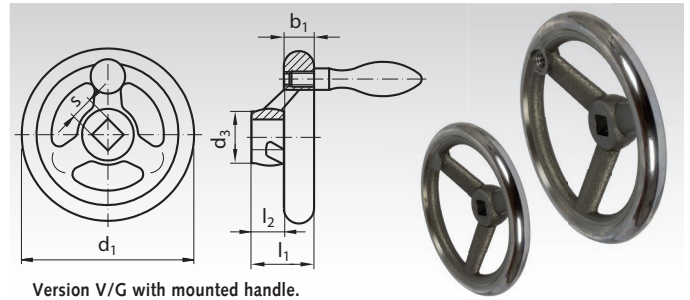
3 spokes for sizes up to Ø 200.

5 spokes for sizes from Ø 225.

Version V/A: Without thread, without handle.

Version V/G: With threaded lug for handle. The handle has to be ordered separately.

Ordering Details: e.g.: 673 408 00, Spoked Handwheel DIN 950, V/G, 80 mm
(Matching Handle DIN 39, Product No. 662 116 00 or DIN 98, Product No. 663 116 00)



Version V/G with mounted handle.
Handle has to be ordered separately.

Product No. Vers. V/A	Product No. Vers. V/G	d ₁ mm	s ^{H11} mm	d ₃ mm	l ₁ mm	l ₂ mm	Weight kg	Product No. Matching Handle Steel*	
								Fixed DIN 39	Revolving DIN 98
673 208 00	673 408 00	80	9	24	29	16	0,45	662 116 00	663 116 00
673 210 09	673 410 09	100	9	26	33	17	0,56	662 116 00	663 116 00
673 210 00	673 410 00	100	10	26	33	17	0,56	662 116 00	663 116 00
673 212 00	673 412 00	125	11	28	36	18	0,85	662 120 00	663 120 00
673 214 00	673 414 00	140	12	30	39	19	1,10	662 120 00	663 120 00
673 216 12	673 416 12	160	12	32	40	20	1,35	662 125 00	663 125 00
673 216 00	673 416 00	160	14	32	40	20	1,35	662 125 00	663 125 00
673 218 00	673 418 00	180	14	35	43	22	1,80	662 125 00	663 125 00
673 220 14	673 420 14	200	14	38	45	24	2,30	662 125 00	663 125 00
673 220 00	673 420 00	200	17	38	45	24	2,30	662 125 00	663 125 00
673 222 00	673 422 00	225	19	42	48	26	3,30	662 125 00	663 125 00
673 225 17	673 425 17	250	17	45	50	28	4,20	662 132 00	663 132 00
673 225 00	673 425 00	250	22	45	50	28	4,20	662 132 00	663 132 00
673 231 19	673 431 19	315	19	53	56	33	6,50	662 132 00	663 132 00
673 231 00	673 431 00	315	27	53	56	33	6,50	662 132 00	663 132 00
673 240 24	673 440 24	400	24	65	63	38	11,20	662 132 00	663 132 00
673 240 00	673 440 00	400	32	65	63	38	11,20	662 132 00	663 132 00

* Handles page 680.

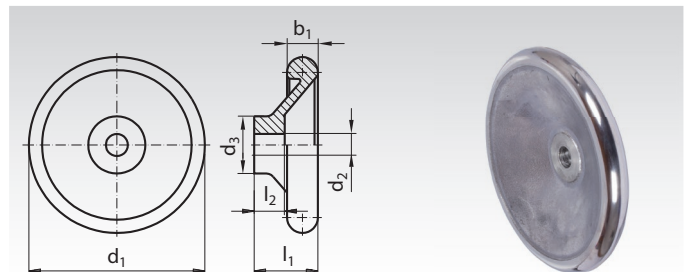
Solid-Disk Handwheels, Similar DIN 950 AL

Material: Aluminium, rim of wheel ground and with high-gloss finish.

Outer diameter and hub length according to DIN 950. At some products, the bore diameter is a special size, not like DIN 950.

Version B/A: Borehole without keyway.

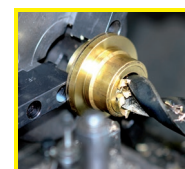
Bigger bore or keyway available at extra charge.



Ordering Details: e.g.: Product No. 670 308 00, Solid-Disk Handwheel, similar to DIN 950 Al, 80 mm

Product No. Vers. B/A	d ₁ mm	d ₂ ^{H7} mm	d ₃ [*] mm	l ₁ mm	l ₂ mm	Weight kg
670 308 00	80	10	26	29	16	0,15
670 310 00	100	12	28	33	17	0,26
670 312 00	125	13	30	36	18	0,35
670 314 00	140	14	32	39	19	0,46
670 316 00	160	15	34,5	40	20	0,72
670 318 00	180	16	38,5	43	22	0,95
670 320 00	200	18	42,5	45	24	1,20
670 322 00	225	20	43	48	26	1,60
670 325 00	250	22	48,5	50	28	2,00
670 328 00	280	24	53	53	30	2,40
670 332 00	315	26	56	56	33	3,50

* Hub diameter bigger than DIN 950.



**Reworking within
24h-service possible.
Custom made parts
on request.**