

Slides DZ 5321 SC, Width 19.1 mm, to 120 kg, Over Extension

Material:

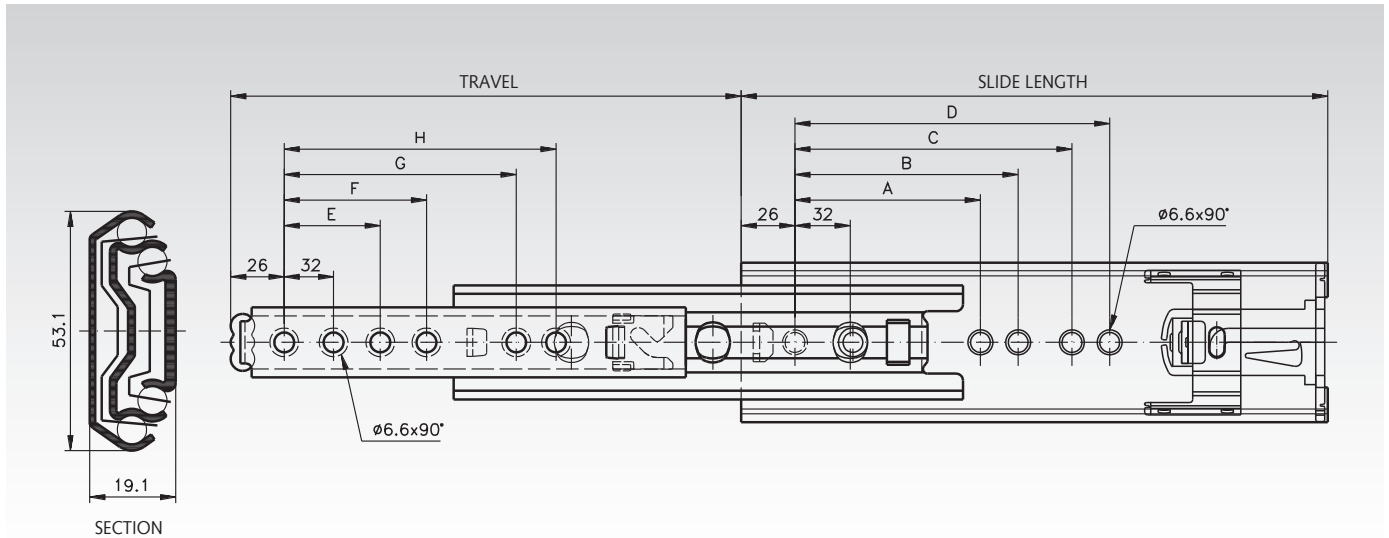
Slide elements: Cold-rolled steel, bright zinc-plated.
Ball retainers: Cold-rolled steel, zinc-plated.
Balls: Hardened steel.

Telescopic ball bearing slides for applications in the industrial and electronics sector.

- Self Close.
- Hold-in in closed position.
- Bracket mount for electrical cabinets on request.
- Service life 10,000 cycles.
- Temperature range: -20°C to +70°C.



Ordering details: e.g.: Prod. No. 649 042 30, Slides DZ 5321 SC



Product No. per Pair	Slide Length mm	Travel +/-3.2 mm	A mm	B mm	C mm	D mm	E mm	F mm	G mm	H mm	Load Rating per Pair kg	Weight per Pair kg
649 042 30	300	319	-	-	160	192	-	-	192	224	85	1,64
649 042 35	350	369	-	-	224	256	-	-	224	256	90	1,96
649 042 40	400	419	160	192	256	288	160	192	288	320	100	2,25
649 042 45	450	469	192	224	320	352	192	224	352	384	110	2,57
649 042 50	500	519	224	256	352	384	224	256	384	416	120	2,87
649 042 55	550	569	224	256	416	448	224	256	448	480	110	3,17
649 042 60	600	619	256	288	480	512	256	288	480	512	100	3,48
649 042 70	700	719	320	352	544	576	320	352	576	608	70	4,10
649 042 80	790	823	352	384	640	672	352	384	672	704	50	4,64

Note

Recommended mount: M5 countersunk / 6mm countersunk euro screw.

Use all mounting positions to achieve the max. load rating.