

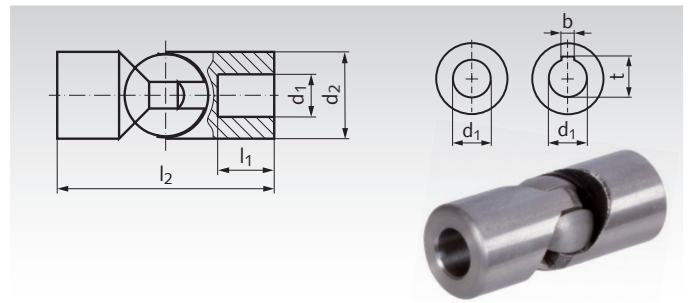
Ball Joints RW

Material: Steel 11SMnPb30K.

Max. Operating Angle 35°.

Temperature range: -70°C to +160°C.

Optionally without or with keyway DIN 6885-1, on both sides.



Ordering Details: e.g.: Product No. 631 313 00, Ball Joint RW, 6 mm Bores, without Keyway

Product No. without keyway	Product No. with keyway	d ₁ ^{H7} mm	d ₂ mm	l ₁ mm	l ₂ mm	b ^{P9} mm	t mm	Torque max. Nm	Weight kg
631 313 00	-	6	13	10	35	-	-	6	0,03
631 316 00	631 316 00N	8	16	10	40	2	9,0	8	0,05
631 320 00	631 320 00N	10	20	13	50	3	11,4	20	0,09
631 324 00	631 324 00N	12	24	14	60	4	13,8	30	0,14
631 328 00	631 328 00N	14	28	17	70	5	16,3	50	0,24
631 332 00	631 332 00N	16	32	19	80	5	18,3	60	0,36
631 336 00	631 336 00N	18	36	22	90	6	20,8	120	0,52
631 340 00	631 340 00N	20	40	24	100	6	22,8	160	0,71
631 345 00	631 345 00N	22	45	26	110	6	24,8	200	1,10
631 350 00	631 350 00N	25	50	30	125	8	28,3	290	1,30
631 355 00	631 355 00N	30	55	35	135	8	33,3	440	1,70
631 360 00	631 360 00N	35	60	42	165	10	38,3	520	2,20
631 365 00	631 365 00N	40	65	46	190	12	43,3	700	3,00
631 370 00	631 370 00N	45	70	52	210	14	48,8	820	4,30

Note for Version with Keyway

At the end of the keyway, there is a hole in radial direction, through the half joint. This is necessary for the production.



The ball joints RW are simple, sliding-contact bearing elements and can only be used at low speeds. The respective maximum speeds depend on operating angle and load, but should possibly not exceed 500 min⁻¹. The maximum torque values listed in the table are limits, which must also never be exceeded. They may only be used to their full extend with intermittent operation or at low speed and small operating angle. Can be used from -70° to +160°C.

The following limit applies:

The product of speed (min⁻¹) x working angle (degrees) must not exceed the reference number 500. This means, e.g., for a working angle of 10 degrees a max. speed of 50 min⁻¹. If however the maximum torque is not used to the limit, speed and working angle can be larger. At 0.5 x max. torque applies: speed x working angle, smaller or equal 4.000. In case of doubt choose larger joint. Lubrication see cardan joints KE page 394.

Slip Shafts LW with Ball Joints

Material: Steel 11SMnPb30K.

Max. operating angle per joint 35°.

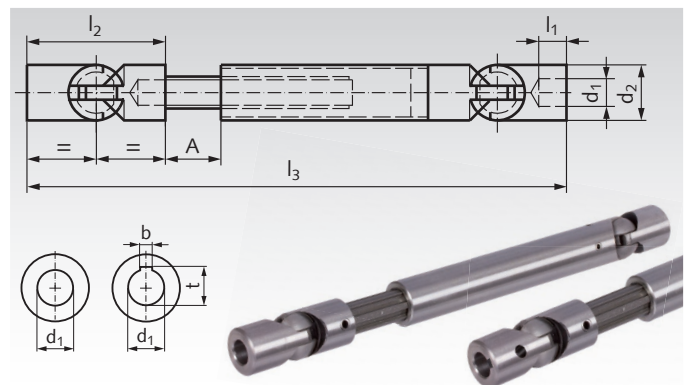
With ball joints RW for power transmission in applications where longitudinal displacement occurs. The variation in length is effected with a multiple-spline shaft. Torques as for ball joints RW. Temperature range: -70°C to +160°C.

Optionally without or with keyway DIN 6885-1, on both sides.

Other lengths on request.

Note: The joints must be aligned correctly. For this, there are two markings on the product. The markings must be arranged next to each other. See page 386.

Ordering Details: e.g.: Product No. 631 520 00, Ball-Joint Shaft LW, 10 mm Bores, without Keyway



Product No. without keyway	Product No. with keyway	d ₁ ^{H7} mm	d ₂ mm	l ₁ mm	l ₂ mm	l ₃ min. mm	l ₃ max. mm	A mm	b ^{P9} mm	t mm	Torque max. Nm	Profile similar DIN ISO 14 mm x mm	Weight kg
631 520 00	631 520 00N	10	20	13	50	200	270	70	3	11,4	20	11 x 14	0,50
631 524 00	631 524 00N	12	24	14	60	220	295	75	4	13,8	30	11 x 14	0,65
631 528 00	631 528 00N	14	28	17	70	250	330	80	5	16,3	50	16 x 20	0,95
631 532 00	631 532 00N	16	32	19	80	280	370	90	5	18,3	60	16 x 20	1,38
631 536 00	631 536 00N	18	36	22	90	300	385	85	6	20,8	120	18 x 22	1,90
631 540 00	631 540 00N	20	40	24	100	350	460	110	6	22,8	160	21 x 25	2,75
631 545 00	631 545 00N	22	45	26	110	400	540	140	6	24,8	200	21 x 25	4,00
631 550 00	631 550 00N	25	50	30	125	400	500	100	8	28,3	290	28 x 32	4,80
631 555 00	631 555 00N	30	55	35	135	450	550	100	8	33,3	440	28 x 32	6,70
631 560 00	631 560 00N	35	60	42	165	500	600	100	10	38,3	520	36 x 42	8,90
631 565 00	631 565 00N	40	65	46	190	550	650	100	12	43,3	700	36 x 42	11,40
631 570 00	631 570 00N	45	70	52	210	630	750	120	14	48,8	820	44 x 52	15,50
631 580 00	-	50	80	58	230	700	840	140	-	-	930	50 x 58	18,00