

Handwheels Stainless Steel

Material: Wheel body: Stainless steel plate 1.4301.
Hub welded on. Matt blasted.
At version B/G: Handle Duroplast PF31, black, glossy finish with axis from stainless steel 1.4305.

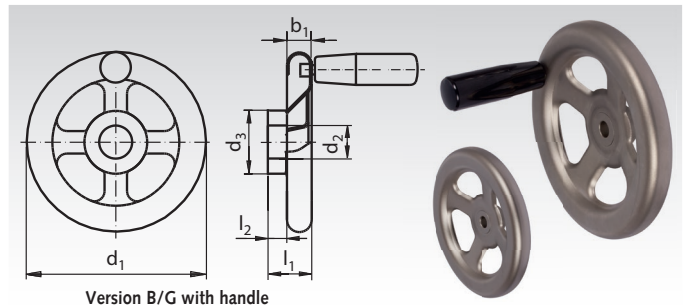


Hub lengths comply with DIN 950. High mechanical strength, insensitive to blows and impacts.

Version B/A: Without thread, without cylindrical handle.
Version B/G: With revolving cylindrical handle.

Keyway available at extra charge.

Ordering Details: e.g.: Product No. 670 999 16, Handwheel, Version B/A, Diameter 160 mm



Version B/G with handle

| Product No. Vers. B/A | Product No. Vers. B/G | d ₁ mm | d ₂ ^{H9} mm | d ₃ mm | b ₁ mm | l ₁ mm | l ₂ mm | Handle Ø mm | Handle Length mm | No. of Spokes pcs. | Sheet Gauge mm | Weight Vers.B/A g | Weight Vers.B/G g |
|--------------------------|--------------------------|----------------------|------------------------------------|----------------------|----------------------|----------------------|----------------------|-------------------|------------------------|--------------------------|----------------------|-------------------------|-------------------------|
| 670 999 16 | 670 994 16 | 160 | 12 | 30 | 22 | 39 | 20 | 26 | 83 | 4 | 2 | 430 | 540 |
| 670 999 20 | 670 994 20 | 200 | 14 | 40 | 22 | 44 | 24 | 26 | 83 | 4 | 2,5 | 824 | 935 |
| 670 999 25 | 670 994 25 | 250 | 17 | 45 | 30 | 52 | 28 | 28 | 93 | 5 | 3 | 1477 | 1600 |
| 670 999 32 | 670 994 32 | 315 | 19 | 55 | 36 | 64 | 33 | 28 | 93 | 5 | 3 | 2330 | 2400 |
| 670 999 40 | 670 994 40 | 400 | 24 | 65 | 43 | 81 | 38 | 28 | 93 | 5 | 3 | 4210 | 4300 |

Handwheels Stainless Steel, Solid Version

Material: Wheel body: Cast stainless steel 1.4308.
Rim turned, matt blasted.
At version B/G: Handle Duroplast PF31, black, glossy finish. Spindle: Stainless steel 1.4305.

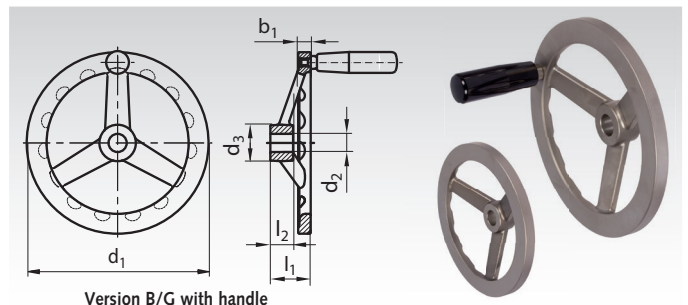


Version B/A: Without thread, without cylindrical handle.
Version B/G: With revolving cylindrical handle.

Easy to clean.

Keyway available at extra charge.

Ordering Details: e.g.: Product No. 670 995 10, Handwheel, Vers. B/A, Diameter 100 mm



Version B/G with handle

| Product No. Vers. B/A | Product No. Vers. B/G | d ₁ mm | d ₂ ^{H8} mm | d ₃ mm | b ₁ mm | l ₁ mm | l ₂ mm | Handle Ø mm | Handle Length mm | No. of Spokes pcs. | Weight Vers.B/A g | Weight Vers.B/G g |
|--------------------------|--------------------------|----------------------|------------------------------------|----------------------|----------------------|----------------------|----------------------|-------------------|------------------------|--------------------------|-------------------------|-------------------------|
| 670 995 10 | 670 996 10 | 100 | 10 | 20 | 7 | 27,5 | 15 | 18 | 45 | 3 | 222 | 255 |
| 670 995 12 | 670 996 12 | 125 | 12 | 24 | 9 | 28,5 | 16 | 21 | 55 | 3 | 425 | 460 |
| 670 995 14 | 670 996 14 | 140 | 14 | 28 | 10 | 30,5 | 18 | 23 | 71 | 3 | 640 | 800 |
| 670 995 16 | 670 996 16 | 160 | 16 | 31 | 11 | 35,5 | 20 | 23 | 71 | 3 | 805 | 900 |
| 670 995 20 | 670 996 20 | 200 | 18 | 36 | 14 | 39 | 23 | 23 | 71 | 3 | 1442 | 1524 |
| 670 995 22 | 670 996 22 | 200 | 20 | 36 | 14 | 39 | 23 | 23 | 71 | 3 | 1400 | 1482 |

Handwheels Stainless Steel, Solid Version, similar to DIN 950

Material: Wheel body: Cast stainless steel 1.4401.
Rim turned and polished.
At version B/G: Handle stainless steel 1.4404.

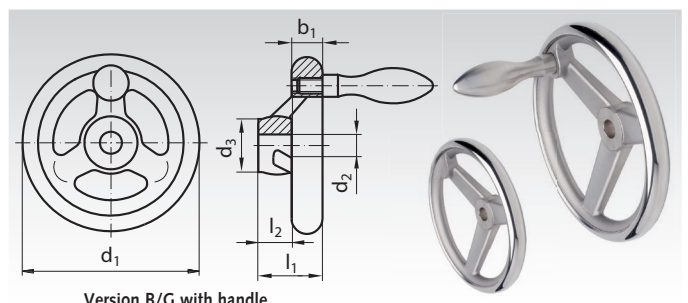


Version B/A: Without thread, without handle.
Version B/G: With fixed handle.

Acid-resistant A4-quality. Easy to clean.
Dimensions almost according to DIN 950.

Keyway available at extra charge.

Ordering Details: e.g.: Product No. 670 997 10, Handwheel DIN 950, stainless steel, Version B/A, 100 mm



Version B/G with handle

| Product No. Version B/A | Product No. Version B/G | d ₁ mm | d ₂ ^{H9} mm | d ₃ mm | b ₁ mm | l ₁ mm | l ₂ mm | Handle Ø mm | Handle Length mm | No. of Spokes pcs. | Weight Vers.B/A g | Weight Vers.B/G g |
|----------------------------|----------------------------|----------------------|------------------------------------|----------------------|----------------------|----------------------|----------------------|-------------------|------------------------|--------------------------|-------------------------|-------------------------|
| 670 997 10 | 670 998 10 | 100 | 10 | 25,5 | 14,5 | 33 | 17 | 16 | 49 | 3 | 433 | 480 |
| 670 997 12 | 670 998 12 | 125 | 12 | 27 | 15,8 | 35,5 | 18 | 20 | 62 | 3 | 659 | 770 |
| 670 997 14 | 670 998 14 | 140 | 14 | 29 | 17 | 38,5 | 19 | 20 | 62 | 3 | 865 | 940 |
| 670 997 16 | 670 998 16 | 160 | 14 | 31 | 17,5 | 39,5 | 20 | 25 | 77 | 3 | 1156 | 1320 |
| 670 997 20 | 670 998 20 | 200 | 18 | 37 | 20 | 44,5 | 24 | 25 | 77 | 3 | 1938 | 2060 |