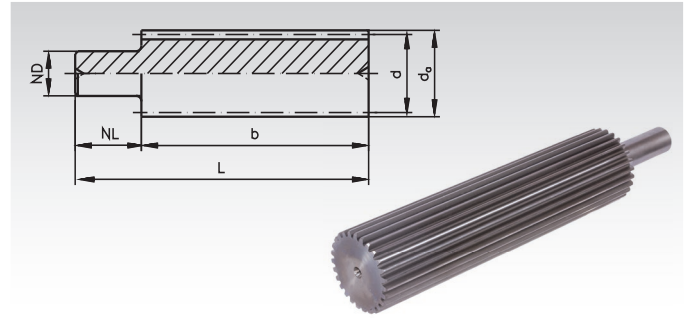


## Spur Gear Shafts Made From Steel with One-Sided Hub, Milled, Straight Teeth

Material: C45.

Pressure angle 20°.



Ordering Details: e.g.: Product No. 214 511 00, spur gear, module 1, 11 teeth

### Module 1

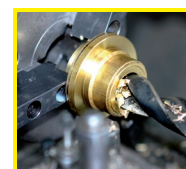
Product No.	Number of teeth	d mm	d <sub>a</sub> mm	ND mm	NL mm	b mm	L mm	Weight kg
214 511 00	11	11	13	12	50	150	200	0,14
214 513 00	13	13	15	12	50	150	200	0,18
214 514 00	14	14	16	12	50	150	200	0,21
214 516 00	16	16	18	12	50	150	200	0,27
214 517 00	17	17	19	16	50	150	200	0,33
214 519 00	19	19	21	16	50	180	230	0,46
214 521 00	21	21	23	16	50	180	230	0,55
214 523 00	23	23	25	16	50	180	230	0,64
214 527 00	27	27	29	16	50	180	230	0,86
214 531 00	31	31	33	16	50	180	230	1,12
214 535 00	35	35	37	16	50	180	230	1,40
214 537 00	37	37	39	16	50	180	230	1,56
214 545 00	45	45	47	16	50	180	230	2,28
214 552 00	52	52	54	16	50	180	230	3,02
214 557 00	57	57	59	16	50	180	230	3,61

### Module 1.5

Product No.	Number of teeth	d mm	d <sub>a</sub> mm	ND mm	NL mm	b mm	L mm	Weight kg
218 513 00	13	19,5	22,5	16	50	150	200	0,41
218 514 00	14	21	24	16	50	150	200	0,46
218 516 00	16	24	27	16	50	150	200	0,58
218 517 00	17	25,5	28,5	16	50	180	230	0,77
218 519 00	19	28,5	31,5	16	50	180	230	0,94
218 521 00	21	31,5	34,5	16	50	180	230	1,14
218 527 00	27	40,5	43,5	16	50	180	230	1,84
218 532 00	32	48	51	16	50	180	230	2,57

### Module 2

Product No.	Number of teeth	d mm	d <sub>a</sub> mm	ND mm	NL mm	b mm	L mm	Weight kg
241 513 00	13	26	30	16	50	200	250	0,87
241 514 00	14	28	32	16	50	200	250	0,99
241 516 00	16	32	36	16	50	200	250	1,28
241 517 00	17	34	38	16	50	200	250	1,44
241 519 00	19	38	42	16	50	200	250	1,79
241 521 00	21	42	46	16	50	200	250	2,17
241 523 00	23	46	50	16	50	200	250	2,61
241 527 00	27	54	58	16	30	220	250	3,89
241 529 00	29	58	62	16	30	220	250	4,49
241 542 00	42	84	88	16	30	220	250	9,48



Reworking within  
24h-service possible.  
Custom made parts  
on request.