

Slides DS 2028, Width 9.5 mm, to 65 kg, Stainless Steel, 3/4 Extension

Material: Stainless steel 1.4301.



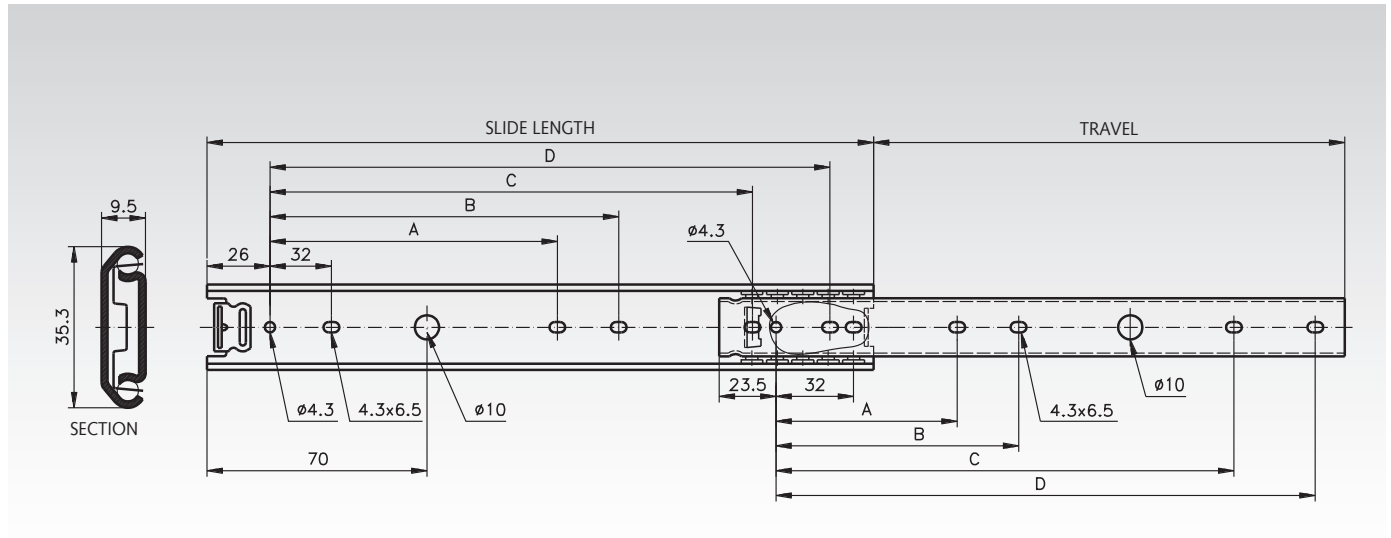
Telescopic ball bearing slides for applications in the industrial and electronics sector.

- Hold-in in closed position.
- Ideal for environments where mild steel might corrode.
- Service life 10,000 / 80,000 cycles.
- Temperature range: -20°C to +70°C.



Accuride

Ordering details: e.g.: Prod. No. 649 444 30, Slides DS 2028



Product No. per Pair	Slide Length mm	Travel +/-3.2 mm	A mm	B mm	C mm	D mm	Load Rating ¹⁾ per Pair kg	Weight per Pair kg
649 444 30	300	209	96	128	224	256	65 / 60	0,54
649 444 35	350	245	96	128	256	288	63 / 57	0,64
649 444 40	400	282	160	192	320	352	59 / 54	0,74
649 444 45	450	320	160	192	384	416	57 / 50	0,83
649 444 50	500	357	192	224	416	448	53 / 47	0,92
649 444 55	550	394	192	224	480	512	50 / 45	1,02
649 444 60	600	432	224	256	512	544	46 / 43	1,12
649 444 65	650	469	224	256	576	608	43 / 41	1,21
649 444 70	700	506	256	288	608	640	42 / 40	1,30

¹⁾ At 10,000 / 80,000 cycles.

Note

Recommended mounts: M4 screw.
Use all mounting positions to achieve the max. load rating.