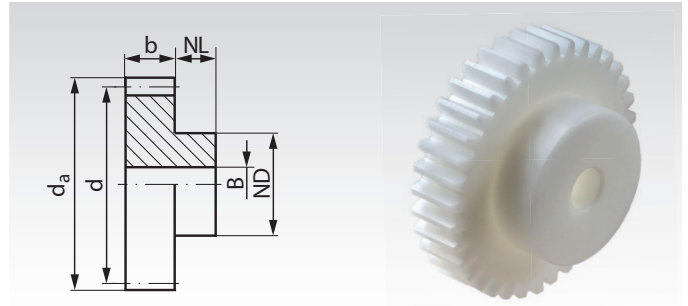


## Spur Gears Made from POM, White, with One-Sided Hub, Straight Tooth System, Milled Teeth

Tooth quality 10d25 DIN 3967.  
 Pressure angle 20°.  
 Untoleranced dimensions in accordance with DIN ISO 2768 m.  
 Temperature limit: continuous 100°C, only short time 140°C.  
 Water absorption (satiated) 0.5% Cws.  
 Other material reference values page 864.

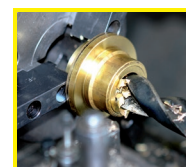


Ordering Details: e.g.: Product No. 296 010 00, Spur Gear, POM, Module 2.0, 10 Teeth

### Module 2 Tooth Width b = 16 mm

Product No.	Number of teeth	b mm	da mm	d mm	NL mm	ND mm	BS10 mm	perm. MT* Nm	Weight g
296 010 00	10	16	24	20	15	15	8	0,60	8,0
296 012 00	12	16	28	24	15	20	8	0,83	13,9
296 014 00	14	16	32	28	15	20	8	1,08	18,0
296 015 00	15	16	34	30	15	20	12	1,24	17,0
296 016 00	16	16	36	32	15	25	12	1,38	23,2
296 018 00	18	16	40	36	15	30	12	1,65	32,0
296 020 00	20	16	44	40	15	30	12	2,15	37,3
296 024 00	24	16	52	48	15	30	12	3,40	50,0
296 025 00	25	16	54	50	15	30	12	3,70	53,6
296 028 00	28	16	60	56	15	30	12	4,85	64,4
296 030 00	30	16	64	60	15	30	12	5,75	72,7
296 032 00	32	16	68	64	15	40	12	6,70	92,6
296 035 00	35	16	74	70	15	45	12	7,80	114
296 036 00	36	16	76	72	15	45	12	9,15	118
296 040 00	40	16	84	80	15	50	12	11,5	149
296 045 00	45	16	94	90	15	50	12	14,1	177
296 050 00	50	16	104	100	15	60	12	15,8	231
296 056 00	56	16	116	112	15	60	12	17,7	272
296 060 00	60	16	124	120	15	60	12	19,2	307
296 070 00	70	16	144	140	20	70	15	22,6	439
296 072 00	72	16	148	144	20	70	15	23,3	459
296 075 00	75	16	154	150	20	70	20	24,2	482
296 080 00	80	16	164	160	20	70	20	25,9	536
296 090 00	90	16	184	180	20	70	20	28,9	654
296 100 00	100	16	204	200	20	80	20	32,1	819
296 120 00	120	16	244	240	20	80	20	38,4	1125

\* Basis of calculations see page 197.



Reworking within  
 24h-service possible.  
 Custom made parts  
 on request.