

## Spur Gears Made from POM, White, with One-Sided Hub, Straight Tooth System, Milled Teeth

Tooth quality 10d25 DIN 3967.

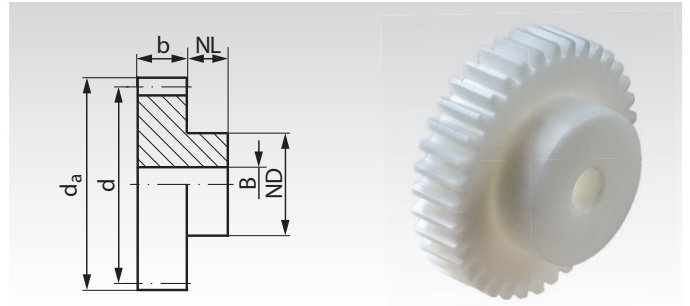
Pressure angle 20°.

Untoleranced dimensions in accordance with DIN ISO 2768m.

Temperature limit: continuous 100°C, only short time 140°C.

Water absorption (satiated) 0.5% Cws.

Other material reference values page 864.



Ordering Details: e.g.: Product No. 297 010 00, Spur Gear, POM, Module 2.5, 10 Teeth

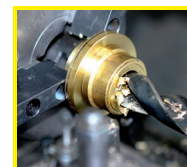
### Module 2.5 Tooth Width b = 20 mm

Product No.	Number of teeth	b mm	da mm	d mm	NL mm	ND mm	B <sup>JS10</sup> mm	perm. MT* Nm	Weight g
297 010 00	10	20	30	25	15	20	10	1,23	15,6
297 012 00	12	20	35	30	15	20	10	1,71	21,7
297 014 00	14	20	40	35	15	20	10	2,23	29,3
297 015 00	15	20	42,5	37,5	15	25	12	2,56	35,0
297 016 00	16	20	45	40	15	25	12	2,85	39,5
297 018 00	18	20	50	45	15	30	12	3,40	53,0
297 020 00	20	20	55	50	15	30	12	4,45	63,0
297 024 00	24	20	65	60	15	30	12	7,00	87,0
297 025 00	25	20	67,5	62,5	15	40	12	7,70	105
297 028 00	28	20	75	70	15	40	12	10,1	127
297 030 00	30	20	80	75	15	40	12	12,0	143
297 035 00	35	20	92,5	87,5	15	50	12	17,3	202
297 036 00	36	20	95	90	15	50	15	19,2	226
297 040 00	40	20	105	100	20	50	15	23,9	264
297 045 00	45	20	117,5	112,5	20	50	15	27,6	322
297 050 00	50	20	130	125	20	70	15	31,0	443
297 056 00	56	20	145	140	20	70	20	34,7	515
297 060 00	60	20	155	150	20	70	20	37,4	585
297 072 00	72	20	185	180	20	80	20	45,3	826
297 080 00	80	20	205	200	20	90	20	50,3	1029
297 090 00	90	20	230	225	20	100	20	56,7	1301
297 100 00	100	20	255	250	20	100	25	62,9	1549
297 120 00	120	20	305	300	20	120	25	75,3	2242

### Module 3 Tooth Width b = 25 mm

Product No.	Number of teeth	b mm	da mm	d mm	NL mm	ND mm	B <sup>JS10</sup> mm	perm. MT* Nm	Weight g
298 010 00	10	25	36	30	15	25	12	2,30	27
298 012 00	12	25	42	36	15	25	12	3,20	38
298 014 00	14	25	48	42	15	25	12	4,20	52
298 015 00	15	25	51	45	15	25	12	4,80	58
298 018 00	18	25	60	54	15	30	12	6,45	87
298 020 00	20	25	66	60	15	30	12	8,40	106
298 024 00	24	25	78	72	15	30	12	13,2	149
298 025 00	25	25	81	75	15	45	15	14,6	179
298 028 00	28	25	90	84	15	45	15	19,2	217
298 030 00	30	25	96	90	15	45	15	22,7	244
298 035 00	35	25	111	105	15	45	15	35,0	325
298 036 00	36	25	114	108	15	45	15	37,5	340
298 040 00	40	25	126	120	15	50	15	43,7	424
298 045 00	45	25	141	135	15	50	20	49,6	521
298 048 00	48	25	150	144	15	50	20	53,2	603
298 050 00	50	25	156	150	20	70	20	55,6	708
298 056 00	56	25	174	168	20	70	20	62,2	854
298 060 00	60	25	186	180	20	70	20	67,5	987

\* Basis of calculations see page 197.



**Reworking within  
24h-service possible.  
Custom made parts  
on request.**