

Precision Worm Gear Sets - Right Hand (Worm Gears and Hollow Worms)

Pressure angle 15°.

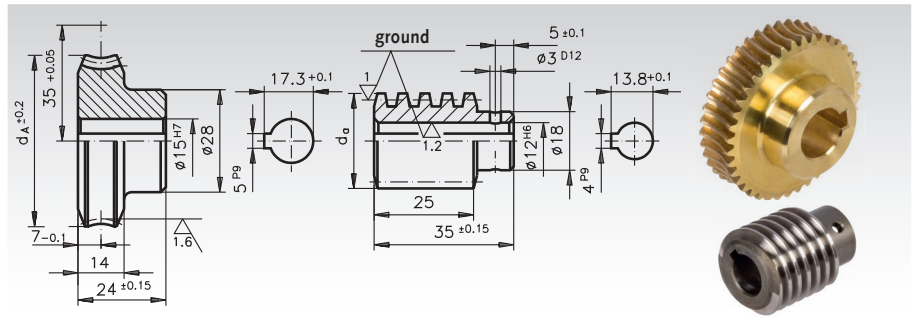
Material:

Worm gear: special brass CuZn40Al2/So.
Worm: 11SMnPb30, inspected for fissures, case hardened HV620-700, ground.
Can be built into gear systems, no reworking required, thus short assembly times.

Ordering Details:e.g.:

Product No. 322 002 00, Prec. Worm Gear A 35

Product No. 322 102 00, Prec. Worm A 35



Centre Distance in Casing 35 mm + 0.05

| Product No. Worm Gear | Product No. Worm | Transmission | Module | No. of Teeth | No. of Threads | Lead Angle | Worm Gear $d_A \pm 0.2$ mm | Worm d_a mm | Maximum Torque at 2800min ⁻¹ Nm | ** η | Weight Worm Gear g | Weight Worm g |
|-----------------------|------------------|--------------|--------|--------------|----------------|------------|----------------------------|---------------|--|-----------|--------------------|---------------|
| 322 002 00 | 322 102 00 | *2,78 : 1 | 1,5 | 25 | 9 | 31° 55' | 46,76 | 29,20 | 6,6 | 0,81 | 178 | 88 |
| 322 005 00 | 322 105 00 | 5 : 1 | 1,75 | 25 | 5 | 22° 52' | 53,00 | 26,02 | 15,3 | 0,78 | 220 | 62 |
| 322 007 00 | 322 107 00 | 7,25 : 1 | 1,5 | 29 | 4 | 13° 47' | 50,00 | 28,18 | 14,7 | 0,71 | 195 | 80 |
| 322 008 00 | 322 108 00 | 8 : 1 | 1,9 | 24 | 3 | 14° 25' | 53,00 | 26,69 | 16,7 | 0,71 | 210 | 65 |
| 322 010 00 | 322 110 00 | 10 : 1 | 1,5 | 30 | 3 | 10° 43' | 51,00 | 27,20 | 16,0 | 0,66 | 200 | 73 |
| 322 012 00 | 322 112 00 | 12 : 1 | 1,9 | 24 | 2 | 9° 11' | 52,00 | 27,60 | 16,1 | 0,63 | 210 | 70 |
| 322 015 00 | 322 115 00 | 15 : 1 | 1,5 | 30 | 2 | 7° | 50,00 | 27,62 | 15,3 | 0,57 | 198 | 76 |
| 322 020 00 | 322 120 00 | 20 : 1 | 1,15 | 40 | 2 | 5° 33' | 50,50 | 26,08 | 14,8 | 0,51 | 210 | 70 |
| 322 025 00 | 322 125 00 | 25 : 1 | 0,9 | 50 | 2 | 4° 9' | 49,00 | 26,67 | 12,9 | 0,44 | 210 | 80 |
| 322 030 00 | 322 130 00 | 30 : 1 | 1,5 | 30 | 1 | 3° 27' | 50,00 | 27,92 | 15,0 | 0,40 | 196 | 80 |
| 322 040 00 | 322 140 00 | 40 : 1 | 1,15 | 40 | 1 | 2° 45' | 50,50 | 26,21 | 14,7 | 0,34 | 200 | 70 |
| 322 050 00 | 322 150 00 | 50 : 1 | 0,9 | 50 | 1 | 2° 4' | 49,00 | 26,73 | 12,9 | 0,28 | 188 | 78 |
| 322 058 00 | 322 158 00 | 58 : 1 | 0,85 | 58 | 1 | 2° 21' | 53,00 | 22,35 | 14,5 | 0,30 | 200 | 50 |
| 322 090 00 | 322 190 00 | 90 : 1 | 0,5 | 90 | 1 | 1° 9' | 49,00 | 26,00 | 9,1 | 0,18 | 198 | 79 |

Precision Worm Gear Sets - Right Hand (Worm Gears and Hollow Worms)

Pressure angle 15°.

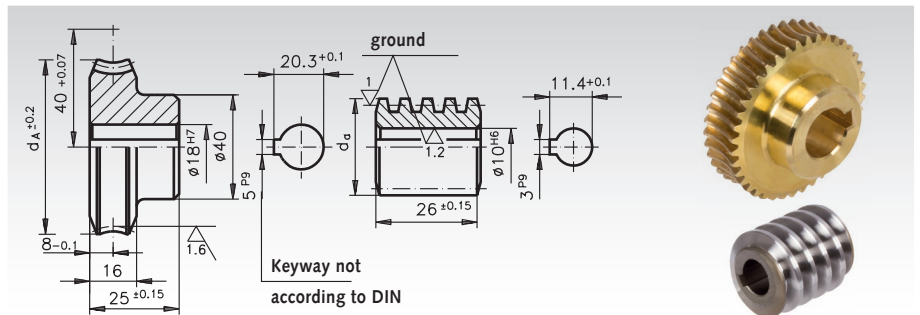
Material:

Worm gear: special brass CuZn40Al2/So.
Worm: 11SMnPb30, inspected for fissures, case hardened HV620-700, ground.
Can be built into gear systems, no reworking required, thus short assembly times.

Ordering Details:e.g.:

Product No. 322 306 00, Prec. Worm Gear A 40

Product No. 322 406 00, Prec. Worm A 40



Centre Distance in Casing 40 mm + 0.07

| Product No. Worm Gear | Product No. Worm | Transmission | Module | No. of Teeth | No. of Threads | Lead Angle | Worm Gear $d_A \pm 0.2$ mm | Worm d_a mm | Maximum Torque at 2800min ⁻¹ Nm | ** η | Weight Worm Gear g | Weight Worm g |
|-----------------------|------------------|--------------|--------|--------------|----------------|------------|----------------------------|---------------|--|-----------|--------------------|---------------|
| 322 306 00 | 322 406 00 | 6,75 : 1 | 2,0 | 27 | 4 | 21° 19' | 64,0 | 26,00 | 29,5 | 0,77 | 386 | 58 |
| 322 308 00 | 322 408 00 | 8 : 1 | 2,25 | 24 | 3 | 16° 35' | 62,5 | 28,14 | 27,5 | 0,74 | 390 | 58 |
| 322 310 00 | 322 410 00 | 10 : 1 | 1,9 | 30 | 3 | 16° 1' | 65,0 | 24,46 | 29,5 | 0,72 | 402 | 49 |
| 322 312 00 | 322 412 00 | 12 : 1 | 1,5 | 36 | 3 | 10° 21' | 60,0 | 28,05 | 25,2 | 0,65 | 352 | 81 |
| 322 315 00 | 322 415 00 | 15 : 1 | 1,9 | 30 | 2 | 9° 53' | 64,0 | 25,94 | 28,0 | 0,64 | 380 | 60 |
| 322 320 00 | 322 420 00 | 20 : 1 | 1,5 | 40 | 2 | 8° 59' | 66,0 | 22,20 | 28,9 | 0,61 | 428 | 40 |
| 322 325 00 | 322 425 00 | 25 : 1 | 1,15 | 50 | 2 | 5° 58' | 62,0 | 24,45 | 24,4 | 0,52 | 370 | 60 |
| 322 328 00 | 322 428 00 | 28 : 1 | 2,0 | 28 | 1 | 4° 47' | 61,5 | 28,00 | 28,4 | 0,47 | 360 | 72 |
| 322 330 00 | 322 430 00 | 30 : 1 | 2,0 | 30 | 1 | 5° 50' | 66,0 | 23,68 | 30,1 | 0,51 | 480 | 42 |
| 322 335 00 | 322 435 00 | 35 : 1 | 1,75 | 35 | 1 | 5° 26' | 67,0 | 21,98 | 31,0 | 0,49 | 430 | 36 |
| 322 340 00 | 322 440 00 | 40 : 1 | 1,5 | 40 | 1 | 4° 20' | 65,0 | 22,83 | 28,3 | 0,44 | 420 | 44 |
| 322 350 00 | 322 450 00 | 50 : 1 | 1,25 | 50 | 1 | 4° 8' | 68,0 | 19,80 | 27,0 | 0,42 | 450 | 30 |
| 322 356 00 | 322 456 00 | 56 : 1 | 1,0 | 56 | 1 | 2° 23' | 59,0 | 26,00 | 21,9 | 0,31 | 370 | 40 |
| 322 360 00 | 322 460 00 | 60 : 1 | 0,9 | 60 | 1 | 1° 59' | 57,5 | 27,72 | 19,3 | 0,28 | 340 | 87 |
| 322 370 00 | 322 470 00 | 70 : 1 | 0,9 | 70 | 1 | 3° 3' | 67,0 | 18,71 | 24,1 | 0,35 | 460 | 28 |
| 322 375 00 | 322 475 00 | 75 : 1 | 0,75 | 75 | 1 | 1° 48' | 60,0 | 25,25 | 18,8 | 0,25 | 370 | 72 |
| 322 380 00 | 322 480 00 | 80 : 1 | 0,75 | 80 | 1 | 2° 10' | 64,0 | 21,40 | 20,1 | 0,28 | 420 | 45 |

* Worm only polished - worm gear with helical gearing.

** The figures stated for the efficiency are only reference values.