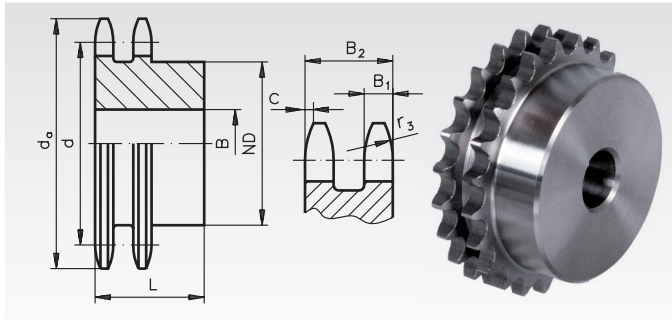


Double-Strand Sprockets ZRS with Hub, ISO 20 B-2



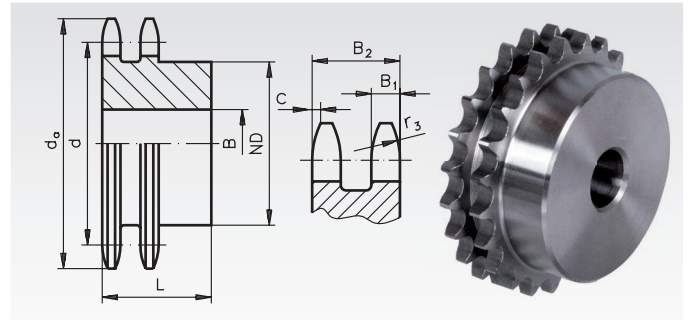
Material: Steel C45, not hardened.
Pre-bored.

Ordering Details: e.g.: Product No. 129 110 00, ZRS, ISO 20 B-2, 10 Teeth

**ISO 20 B-2, Pitch 1 1/4 x 3/4",
B₁ = 18,5 mm, B₂ = 54,6 mm, c = 3,5 mm, r₃ = 32 mm**

| Product No. | Number of teeth | d _a mm | d mm | ND mm | B mm | L mm | Weight kg |
|-------------|-----------------|-------------------|--------|-------|------|------|-----------|
| 129 110 00 | 10 | 117,0 | 102,74 | 70 | 20 | 75 | 2,85 |
| 129 111 00 | 11 | 127,0 | 112,68 | 80 | 20 | 80 | 3,72 |
| 129 112 00 | 12 | 137,0 | 122,68 | 90 | 20 | 80 | 4,66 |
| 129 113 00 | 13 | 147,5 | 132,65 | 100 | 20 | 80 | 5,70 |
| 129 114 00 | 14 | 157,6 | 142,68 | 110 | 20 | 80 | 6,84 |
| 129 115 00 | 15 | 167,7 | 152,72 | 120 | 20 | 80 | 8,08 |
| 129 116 00 | 16 | 177,7 | 162,75 | 120 | 25 | 80 | 8,90 |
| 129 117 00 | 17 | 187,7 | 172,78 | 120 | 25 | 80 | 9,92 |
| 129 118 00 | 18 | 197,8 | 182,85 | 120 | 25 | 80 | 11,00 |
| 129 119 00 | 19 | 207,9 | 192,91 | 120 | 25 | 80 | 12,16 |
| 129 120 00 | 20 | 217,9 | 202,98 | 120 | 25 | 80 | 13,38 |
| 129 125 00 | 25 | 268,4 | 253,33 | 140 | 25 | 80 | 21,36 |
| 129 130 00 | 30 | 318,7 | 303,75 | 150 | 25 | 80 | 30,69 |

Double-Strand Sprockets ZRS with Hub, ISO 24 B-2

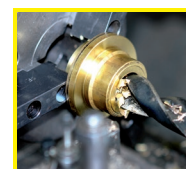


Material: Steel C45, not hardened.
Pre-bored.
Sprockets marked with 1) made from St52 with welded in hub.

Ordering Details: e.g.: Product No. 129 510 00, ZRS, ISO 24 B-2, 10 Teeth

**ISO 24 B-2, Pitch 1 1/2 x 1",
B₁ = 24,1 mm, B₂ = 72 mm, c = 4 mm, r₃ = 38 mm**

| Product No. | Number of teeth | d _a mm | d mm | ND mm | B mm | L mm | Weight kg |
|-------------|------------------|-------------------|--------|-------|------|------|-----------|
| 129 510 00 | 10 | 137,0 | 123,29 | 80 | 25 | 95 | 5,01 |
| 129 511 00 | 11 | 149,0 | 135,21 | 90 | 25 | 100 | 6,62 |
| 129 512 00 | 12 | 161,0 | 147,22 | 102 | 25 | 100 | 8,28 |
| 129 513 00 | 13 | 173,0 | 159,18 | 114 | 25 | 100 | 10,13 |
| 129 514 00 | 14 | 185,0 | 171,22 | 128 | 25 | 100 | 12,24 |
| 129 515 00 | 15 | 197,0 | 183,26 | 140 | 25 | 100 | 14,08 |
| 129 516 00 | 16 | 209,0 | 195,30 | 140 | 25 | 100 | 15,88 |
| 129 517 00 | 17 | 221,0 | 207,34 | 150 | 25 | 100 | 17,80 |
| 129 518 00 | 18 | 233,0 | 219,42 | 160 | 25 | 100 | 21,08 |
| 129 519 00 | 19 | 245,5 | 231,49 | 160 | 25 | 100 | 23,26 |
| 129 520 00 | 20 | 257,5 | 243,57 | 160 | 25 | 100 | 25,57 |
| 129 525 00 | 25 | 319,0 | 304,00 | 160 | 25 | 100 | 39,09 |
| 129 530 00 | 30 ¹⁾ | 379,5 | 364,50 | 160 | 30 | 100 | 55,88 |



**Reworking within
24h-service possible.
Custom made parts
on request.**