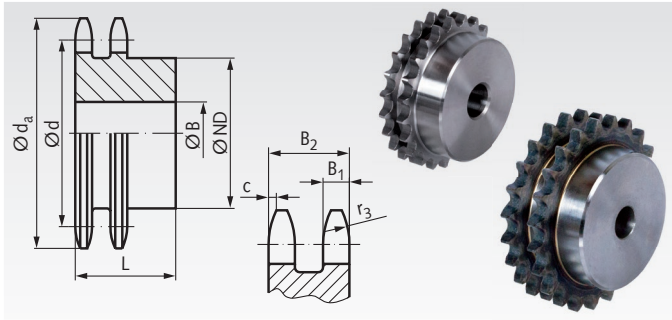


## Double-Strand Sprockets, One-Sided Hub, ISO 16 B-2



**Material:** Steel C45, optionally hardened.  
Pre-bored. Sprockets marked with \* from grey cast iron GG25.

**Type ZRS:** Not hardened.

**Type ZRG:** Teeth induction hardened (approx. HRC 50).

Ordering Details: e.g.: Product No. 128 108 00, ZRS, ISO 16 B-2, 8 Teeth

### ISO 16 B-2, Pitch 1" x 17.02 mm,

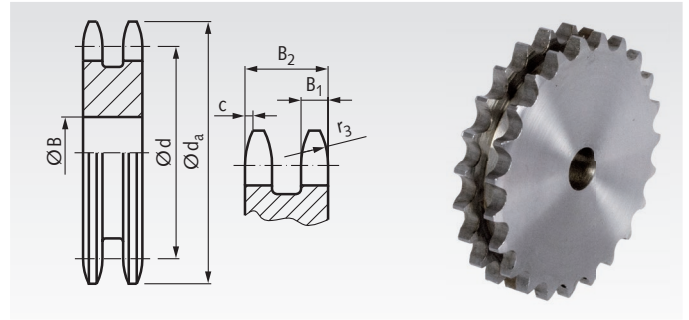
$B_1 = 15.8$  mm,  $B_2 = 47.7$  mm  $c = 2.5$  mm,  $r_3 = 26$  mm

Product No. ZRS	Product No. ZRG	Number of teeth	$d_a$ mm	$d$ mm	ND mm	B mm	L mm	Weight kg
128 108 00	128 881 08	8	77,0	66,37	42	16	65	0,90
128 109 00	128 881 09	9	85,0	74,26	50	16	65	1,20
128 110 00	128 881 10	10	93,0	82,19	56	16	65	1,60
128 111 00	128 881 11	11	99,5	90,14	64	20	70	2,16
128 112 00	128 881 12	12	109,0	98,14	72	20	70	2,70
128 113 00	128 881 13	13	117,0	106,12	80	20	70	3,27
128 114 00	128 881 14	14	125,0	114,15	88	20	70	3,91
128 115 00	128 881 15	15	133,0	122,17	96	20	70	4,59
128 116 00	128 881 16	16	141,0	130,20	104	20	70	5,32
128 117 00	128 881 17	17	149,0	138,22	112	20	70	6,11
128 118 00	128 881 18	18	157,0	146,28	120	20	70	6,98
128 119 00	128 881 19	19	165,2	154,33	128	20	70	7,93
128 120 00	128 881 20	20	173,2	162,38	130	20	70	8,61
128 121 00	128 881 21	21	181,2	170,43	130	25	70	9,28
128 123 00	128 881 23	23	197,5	186,53	130	25	70	10,90
128 125 00	128 881 25	25	213,5	202,66	130	25	70	12,70
128 130 00	128 881 30	30	254,0	243,00	130	25	70	17,60
128 138 00*	-	38	320,0	307,59	140	40	75	18,60
128 145 00*	-	45	377,0	364,13	150	40	75	19,40
128 157 00*	-	57	474,0	461,08	170	40	90	31,00
128 176 00*	-	76	627,0	614,65	175	40	95	41,50



Sprockets marked with \* are made from grey cast iron GG25.

## Double-Strand plate wheels ZRL, ISO 16 B-2



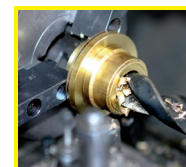
**Material:** Low-carbon steel, not hardable.  
Pre-bored.

Ordering Details: e.g.: Product No. 128 211 00, ZRL, ISO 16 B-2, 11 Teeth

### ISO 16 B-2, Pitch 1" x 17.02 mm,

$B_1 = 15.8$  mm,  $B_2 = 47.7$  mm  $c = 2.5$  mm,  $r_3 = 26$  mm

Product No. ZRL	Number of teeth	$d_a$ mm	$d$ mm	B mm	Weight kg
128 211 00	11	99,5	90,14	20	1,63
128 212 00	12	109,0	98,14	20	1,98
128 214 00	14	125,0	114,15	20	2,86
128 216 00	16	141,0	130,20	20	3,86
128 218 00	18	157,0	146,28	20	5,10
128 220 00	20	173,0	162,38	20	6,30
128 222 00	22	189,3	178,48	25	7,80
128 224 00	24	205,5	194,59	25	9,40
128 227 00	27	229,6	218,79	25	12,20
128 230 00	30	254,0	243,00	25	15,20
128 235 00	35	296,2	283,36	25	21,00
128 236 00	36	304,6	291,44	25	22,46
128 238 00	38	320,7	307,59	25	25,00
128 245 00	45	377,1	364,13	25	35,50
128 248 00	48	401,3	388,36	30	39,00
128 257 00	57	474,0	461,07	40	53,50



**Reworking within 24h-service possible. Custom made parts on request.**