

Sprockets KRT / KRTG with One-Sided Hub, for Taper Bushes

Material: Steel C45, optionally hardened or grey cast iron.

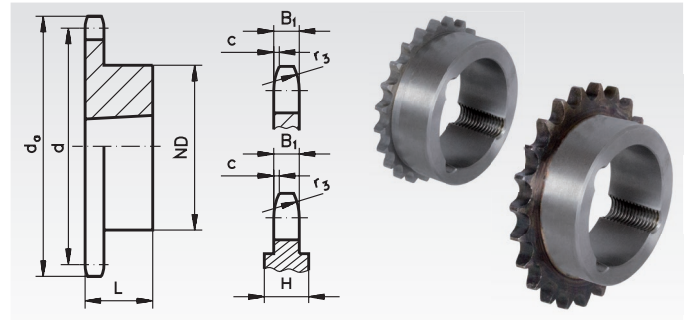
Type KRT: Not hardened.

Type KRTG: Teeth induction hardened (approx. HRC 50).

Sprockets for taper bushes, for easy and fast mounting.
The taper bush has to be ordered separately, see page 340.

Product numbers ending with G are made from grey cast iron GG25. At sprockets marked with *, the teeth are centered on the wheel body, see drawing.

Ordering Details: e.g.: Product No. 108 771 13, KRT, ISO 16 B-1, 13 Teeth,
Determine bore size with reference to Taper bush type, see page 84.



ISO 16 B-1, Pitch 1" x 17.02 mm, B₁ = 16.2 mm, c = 2.5 mm, r₃ = 26 mm

Product No. KRT	Product No. KRTG	Number of teeth	d _a mm	d mm	ND mm	L mm	Weight kg	Taper-bush
108 771 13	108 781 13	13	117,0	106,12	73	25	1,10	1610
108 771 14	108 781 14	14	125,0	114,15	76	25	1,20	1610
108 771 15	108 781 15	15	133,0	122,17	76	25	1,30	1610
108 771 16	108 781 16	16	141,0	130,20	90	32	1,34	2012
108 771 17	108 781 17	17	149,0	138,22	90	32	1,49	2012
108 771 18	108 781 18	18	157,0	146,28	108	45	1,73	2517
108 771 19	108 781 19	19	165,2	154,33	108	45	1,97	2517
108 771 20	108 781 20	20	173,2	162,38	108	45	2,64	2517
108 771 21	108 781 21	21	181,2	170,43	110	45	2,88	2517
108 771 22	108 781 22	22	189,3	178,48	110	45	3,12	2517
108 771 23	108 781 23	23	197,5	186,53	110	45	3,36	2517
108 771 24	108 781 24	24	205,5	194,59	110	45	3,60	2517
108 771 25	108 781 25	25	213,5	202,66	110	45	3,89	2517
108 771 26	108 781 26	26	221,6	210,72	110	45	4,22	2517
108 771 27	108 781 27	27	229,6	218,79	110	45	4,32	2517
108 771 28	108 781 28	28	237,7	226,85	110	45	4,56	2517
108 771 30	108 781 30	30	254,0	243,00	140	51	5,52	3020
108 771 38	-	38	320,7	307,59	140	51	9,60	3020
108 771 38G *	-	38	320,7	307,59	160	51	8,90	3020
108 771 45	-	45	377,0	364,13	140	51	13,5	3020
108 771 45G *	-	45	377,0	364,13	160	51	9,2	3020
108 771 57	-	57	474,0	461,08	140	51	21,3	3020
108 771 57G *	-	57	474,0	461,08	160	51	11,6	3020
108 771 76G *	-	76	627,0	614,65	160	51	20,0	3020
108 771 83G *	-	95	781,0	768,22	160	51	30,0	3020
108 771 88G *	-	114	933,0	921,81	160	76	62,0	3030

* 38 to 95 teeth: H=23mm.
114 teeth: H=30.5mm.

ISO 24 B-1, Pitch 1 1/2" x 1", B₁ = 24.1 mm, c = 4.0 mm, r₃ = 38 mm

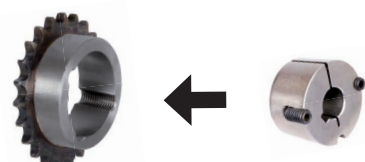
Product No. KRT	Number of teeth	d _a mm	d mm	ND mm	L mm	Weight kg	Taper-bush
110 771 38G*	38	476,2	461,39	160	76	24	3030
110 771 57G*	57	706,5	691,63	160	76	45	3030

* H=35mm.



Product numbers ending with G are made from grey cast iron GG25.

Taper bushes page 340



ISO 20 B-1, Pitch 1 1/4" x 3/4", B₁ = 18.5 mm, c = 3.5 mm, r₃ = 32 mm

Product No. KRT	Product No. KRTG	Number of teeth	d _a mm	d mm	ND mm	L mm	Weight kg	Taper-bush
109 771 13	109 781 13	13	147,8	132,65	90	32	1,6	2012
109 771 14	-	14	157,8	142,68	90	32	1,9	2012
109 771 15	109 781 15	15	167,9	152,72	108	45	2,4	2517
109 771 16	-	16	177,9	162,75	108	45	2,8	2517
109 771 17	109 781 17	17	187,9	172,78	108	45	3,1	2517
109 771 18	-	18	198,0	182,85	108	45	3,5	2517
109 771 19	109 781 19	19	208,1	192,91	108	45	3,9	2517
109 771 20	-	20	218,1	202,98	108	45	4,4	2517
109 771 21	109 781 21	21	228,2	213,04	108	45	4,8	2517
109 771 22	-	22	238,3	223,11	108	45	5,3	2517
109 771 23	109 781 23	23	248,3	233,17	108	45	5,7	2517
109 771 24	-	24	258,4	243,23	108	45	6,2	2517
109 771 25	109 781 25	25	268,5	253,33	108	45	6,8	2517
109 771 27	109 781 27	27	288,6	273,49	150	51	9,1	3020
109 771 30	109 781 30	30	318,9	303,75	150	51	10,1	3020
109 771 36	-	36	397,2	364,30	150	51	15,7	3020
109 771 38	-	38	399,6	384,49	160	51	18,0	3020
109 771 38G *	-	38	399,6	384,49	160	51	12,7	3020
109 771 45	-	45	470,3	455,17	160	51	24,7	3020
109 771 57	-	57	591,5	576,36	160	51	45,0	3020
109 771 57G *	-	57	591,5	576,36	160	51	20,0	3020
109 771 76	-	76	783,5	768,32	160	51	67,0	3020
109 771 76G *	-	76	783,5	768,32	160	51	39,0	3020

* H=24mm.

Description and mounting instructions page 867

