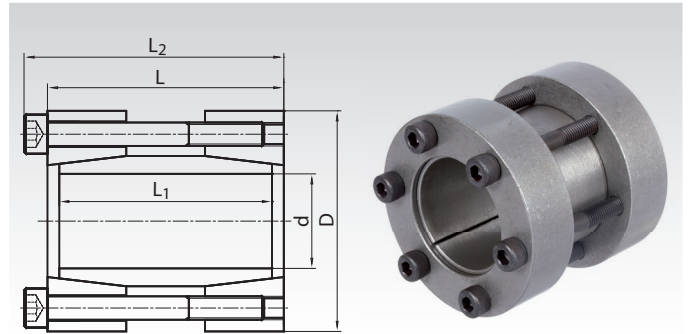


Locking Assemblies (Rigid Couplings) ST-K

Material: Steel.

- For connecting two shafts, as a rigid coupling.
- For medium torques.
- Easy mounting.
- Self-releasing at dismounting.
- No axial movement during mounting.



Ordering Details: e.g.: Product No. 615 880 15, Locking Assembly ST-K, 15 mm

Product No.	d mm	D mm	L mm	L ₁ mm	L ₂ mm	T Nm	F _{ax} kN	P _W N/mm ²	Screws 12.9 Number x Size	T _A Nm	Weight kg
615 880 15	15	45	50	44	56	125	16	126	4 x M6	17	0,40
615 880 16	16	45	50	44	56	131	17	117	4 x M6	17	0,40
615 880 17	17	50	50	44	56	210	23	118	4 x M6	17	0,50
615 880 18	18	50	50	44	56	220	24	109	4 x M6	17	0,46
615 880 19	19	50	50	44	56	230	24	96	4 x M6	17	0,50
615 880 20	20	50	50	44	56	240	25	93	4 x M6	17	0,50
615 880 22	22	55	60	54	66	270	25	107	4 x M6	17	0,60
615 880 24	24	55	60	54	66	290	25	96	4 x M6	17	0,60
615 880 25	25	55	60	54	66	470	35	95	6 x M6	17	0,66
615 880 28	28	60	60	54	66	490	35	84	6 x M6	17	0,70
615 880 30	30	60	60	54	66	540	37	79	6 x M6	17	0,73
615 880 32	32	75	60	54	68	730	43	77	4 x M8	41	1,30
615 880 35	35	75	75	69	83	810	45	82	4 x M8	41	1,34
615 880 38	38	75	75	69	83	860	46	75	4 x M8	41	1,30
615 880 40	40	75	75	69	83	880	46	64	4 x M8	41	1,40
615 880 42	42	90	75	69	83	1430	66	65	6 x M8	41	2,0
615 880 45	45	90	85	79	93	1490	66	73	6 x M8	41	2,5
615 880 48	48	90	85	79	93	1640	68	70	6 x M8	41	2,4
615 880 50	50	90	85	79	93	1670	68	64	6 x M8	41	2,0
615 880 55	55	105	85	79	93	2520	90	63	8 x M8	41	3,3
615 880 60	60	105	85	79	93	2760	92	59	8 x M8	41	2,6
615 880 65	65	105	85	79	93	2930	92	53	8 x M8	41	3,0
615 880 70	70	125	100	94	110	3800	106	50	6 x M10	83	5,4
615 880 75	75	125	100	94	110	3850	107	47	6 x M10	83	5,0
615 880 80	80	125	100	94	110	4030	109	65	6 x M10	83	4,7
615 880 85	85	130	100	94	110	4260	121	64	8 x M10	83	5,5
615 880 90	90	135	100	94	110	4820	122	72	8 x M10	83	7,0
615 880 95	95	140	120	114	130	5170	124	67	8 x M10	83	7,5
615 881 00	100	150	120	114	132	5590	127	66	8 x M12	142	7,8

More sizes up to d=110mm for 7,400Nm are available.

Price and delivery time on request.

T = transmittable torque at F_{ax} = 0.

F_{ax} = transmittable axial force at T = 0.

P_W = surface pressure onto the shaft.

T_A = Fastening torque of the screws.

Fit

Shaft h8, Hub H8.
Surface roughness max. 12.5µm.

Mounting

Slightly oil the locking assembly before mounting, do not use molybdenum disulphide or grease. Tighten the screws evenly and crosswise in several steps.

Demounting

Due to the cone angle, the locking assembly is usually released once all screws have been fully unfastened.