

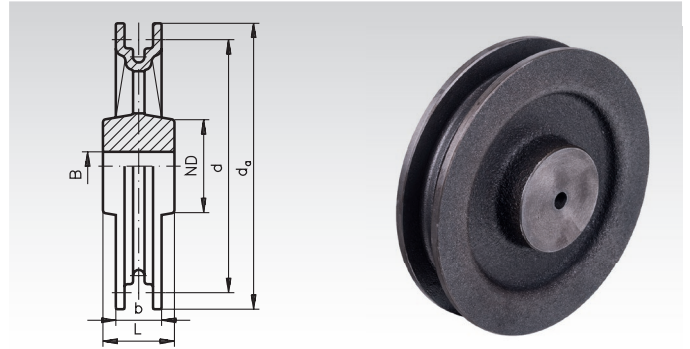
Chain Wheels without Teeth (Chain Rollers)

Material: Grey cast iron GG25.

Matching chains in accordance with DIN 766 A.

Hub unfinished and without bore, some with core hole.

All dimensions and weights „ca.“.



Ordering Details: e.g.: Art.No. 770 404 00, Chain Wheel, $d_a=56$ mm, 4 mm

Chain Width 4 mm, Pitch 16 mm

Product No.	d_a mm	d mm	b mm	ND mm	L mm	B approx. mm	Weight kg
770 404 00	56	41	23	40	30	8	0,3
770 408 00	96	81	23	50	35	8	1,0

Chain Width 5 and 6 mm, Pitch 18.5 mm

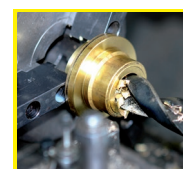
Product No.	d_a mm	d mm	b mm	ND mm	L mm	B approx. mm	Weight kg
770 506 00	95	71	32	50	50	8	1,2
770 508 00	120	94	32	50	50	8	2,0
770 512 00	165	141	34	60	50	10	3,2
770 515 00	200	177	32	65	50	12	3,2

Chain Width 8 mm, Pitch 24 mm

Product No.	d_a mm	d mm	b mm	ND mm	L mm	B approx. mm	Weight kg
770 607 00	117	107	41	80	65	10	3,0
770 608 00	162	122	45	80	65	12	5,0
770 612 00	212	183	45	80	65	20	6,0

Chain Width 10 mm, Pitch 28 mm

Product No.	d_a mm	d mm	b mm	ND mm	L mm	B approx. mm	Weight kg
770 705 00	115	89	56	60	65	10	3,0
770 712 00	250	214	52	140	75	20	13,0



**Reworking within
24h-service possible.
Custom made parts
on request.**