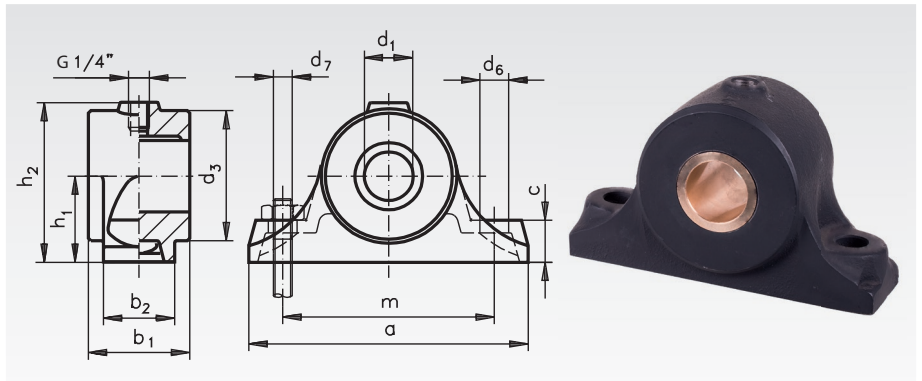


Heavy-Duty Pillow Block Bearings DIN 504 Design A, with Red Brass Bush

Material: Grey Cast Iron GG25 (GJL-250).
Bush Rg7 (G-CuSn7ZnPb).

Bore Tolerance: ISO D10.



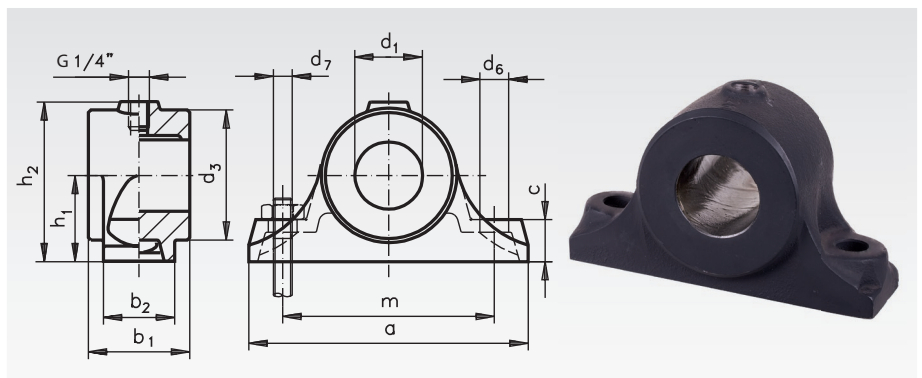
Ordering Details: e.g.: Product No. 620 130 00,
Pillow Block Bearing DIN 504 A, 30 mm Bore

Product No.	d ₁ mm	a mm	b ₁ mm	b ₂ mm	c mm	d ₃ mm	d ₆ mm	d ₇ mm	h ₁ mm	h ₂ mm	m mm	Weight kg
620 130 00	30	160	60	45	25	80	15	M12	50	95	120	3,0
620 140 00	40	190	70	50	30	90	19	M16	60	110	140	4,2
620 150 00	50	220	80	55	35	100	24	M20	70	125	160	5,5
620 160 00	60	240	90	60	35	120	24	M20	80	145	180	8,3
620 170 00	70	270	100	70	45	140	28	M24	90	165	210	11,6
620 180 00	80	300	100	80	45	160	28	M24	100	185	240	17,0

Heavy-Duty Pillow Block Bearings DIN 504 Design B, without Bush

Material: Grey Cast Iron GG25 (GJL-250).

Bore Tolerance: ISO D7.



Ordering Details: e.g.: Product No. 620 220 00,
Pillow Block Bearing DIN 504 B, 20 mm Bore

Product No.	d ₁ mm	a mm	b ₁ mm	b ₂ mm	c mm	d ₃ mm	d ₆ mm	d ₇ mm	h ₁ mm	h ₂ mm	m mm	Weight kg
620 220 00	20	110	50	35	18	45	12	M10	30	56	75	1,3
620 225 00	25	140	60	40	25	60	15	M12	40	75	100	2,0
620 230 00	30	140	60	40	25	60	15	M12	40	75	100	2,0
620 235 00	35	160	60	45	25	80	15	M12	50	95	120	3,0
620 240 00	40	160	60	45	25	80	15	M12	50	95	120	3,0
620 245 00	45	190	70	50	30	90	19	M16	60	110	140	4,2
620 250 00	50	190	70	50	30	90	19	M16	60	110	140	4,2
620 260 00	60	220	80	55	35	100	24	M20	70	125	160	5,5
620 270 00	70	240	90	60	35	120	24	M20	80	145	180	8,3
620 280 00	80	270	100	70	45	140	28	M24	90	165	210	11,6



Lubricators page 854.