

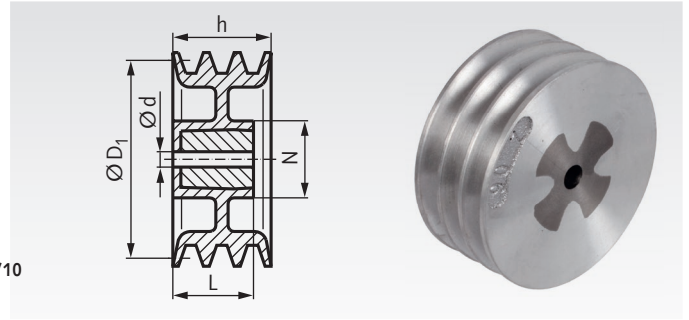
V-Belt Pulley Made from a Special Light Alloy with Cast-Iron core, 3 Grooves

Bimetal V-belt pulleys similar to DIN 2211 or DIN 2217 matching narrow V-belts DIN 2215 und DIN 7753.

V-belt pulleys with nominal diameters up to and including 250 mm are supplied as solid pulley, from 280 mm Ø as spoked pulley.

¹⁾ Can only be used with standard V-belt DIN 2215 .
* Without cast-iron core.

Ordering Details: e.g.: Product No. 150 306 00, V-Belt Pulley Bi-metal, 3 Grooves, 63/3/10



Profile XPZ, SPZ and Z (10) with 3 Grooves, Rim Width h 40 mm

Product No.	Nominal Ø D ₁ mm	Pilot Hole d approx. mm	max. Bore mm	h mm	Hub Ø N approx. mm	Hub Length L approx. mm	Weight approx. kg
150 306 00	*63	-	25	40	-	40	0,3
150 307 00	*71	-	30	40	-	40	0,4
150 308 00	80	10	35	40	-	40	0,8
150 309 00	90	10	35	40	-	40	0,9
150 310 00	100	10	35	40	60	40	1,0
150 311 00	112	12	35	40	-	40	1,2
150 312 00	125	12	35	40	60	40	1,1
150 314 00	140	12	40	40	65	40	1,5
150 316 00	160	12	40	40	65	45	1,5
150 318 00	180	12	45	40	75	45	2,0
150 320 00	200	14	45	40	75	45	2,2
150 322 00	224	14	45	40	75	45	2,4
150 325 00	250	14	45	40	75	45	2,7
150 328 00	280	14	45	40	75	50	3,0
150 331 00	315	14	45	40	75	50	4,0

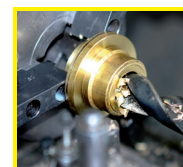
Profile XPA, SPA and A (13) with 3 Grooves, Rim Width h 50 mm

Product No.	Nominal Ø D ₁ mm	Pilot Hole d approx. mm	max. Bore mm	h mm	Hub Ø N approx. mm	Hub Length L approx. mm	Weight approx. kg
152 302 00	*50 ¹⁾	-	22	50	-	50	0,2
152 303 00	*56 ¹⁾	-	25	50	-	50	0,3
152 306 00	*63	-	25	50	-	50	0,3
152 307 00	*71	-	30	50	-	50	0,4
152 308 00	80	12	35	50	-	50	0,8
152 309 00	90	12	40	50	-	50	1,1
152 310 00	100	12	40	50	-	50	1,3
152 311 00	112	12	40	50	-	50	1,5
152 312 00	125	12	40	50	65	50	1,8
152 314 00	140	12	40	50	65	50	1,7
152 316 00	160	12	40	50	65	50	1,9
152 318 00	180	14	45	50	75	50	2,4
152 320 00	200	14	45	50	75	50	2,6
152 322 00	224	16	45	50	75	50	2,8
152 325 00	250	16	50	50	85	50	3,5
152 328 00	280	16	50	50	85	50	3,6
152 331 00	315	16	50	50	85	60	4,5

V-Belt Pulleys GG in Taper bushes-Type see page 185.

Profile XPB, SPB and B (17) with 3 Grooves, Rim Width h 63 mm

Product No.	Nominal Ø D ₁ mm	Pilot Hole d approx. mm	max. Bore mm	h mm	Hub Ø N approx. mm	Hub Length L approx. mm	Weight approx. kg
154 308 00	80	12	35	63	-	63	0,9
154 309 00	90	12	35	63	-	63	1,2
154 310 00	100	14	40	63	-	63	1,4
154 311 00	112	14	40	63	-	63	2,0
154 312 00	125	14	40	63	-	63	2,3
154 314 00	140	14	45	63	-	63	2,4
154 316 00	160	14	50	63	85	50	2,6
154 318 00	180	14	50	63	85	50	2,8
154 320 00	200	16	50	63	85	50	3,0
154 322 00	224	16	50	63	85	50	3,4
154 325 00	250	18	50	63	85	60	4,3
154 328 00	280	18	50	63	85	60	4,6
154 331 00	315	20	50	63	85	60	4,9



**Reworking within
24h-service possible.
Custom made parts
on request.**