

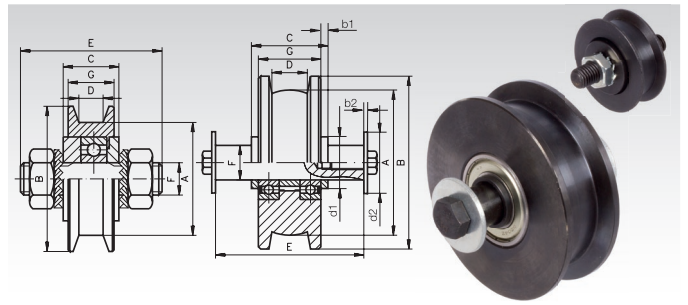
Idlers Made from Steel (C45) with Flange on Both Sides

Especially suited for heavy-duty applications, e.g. electrically controlled gates.
Precisely turned from solid material; with fully sealed precision bearings.

Product No. 776 004 00 and 776 005 00 with square running surface and single bearing, wheel body, black oxide finish.

Product No. 776 006 00 to 776 016 00 with convex running surface and double bearing.

Delivery includes all mounting material needed; axle bolt at running surface \varnothing 35 and 45 mm with external thread, serrated washer and hexagon nuts, other sizes with internal thread, 6 hexagon screws and washers DIN ISO 7093-1.



Ordering Details: e.g.: Product No. 776 004 00, Idler, St. A 35

Product No.	A mm	B mm	G mm	C mm	D mm	E mm	F mm	Wheel Load* max. kg	Weight kg	Recommended Rail**
776 004 00	35	45	17	20	10,3	50	10	160	0,18	□ 40 x 10
776 005 00	45	55	19	24	12,3	65	12	250	0,32	□ 50 x 12
776 006 00	63	75	27	33	15,3	68	15	480	0,75	□ 60 x 15
776 008 00	84	100	34	40	20,3	80	20	840	1,5	□ 60 x 20
776 010 00	100	125	40	46	25,0	96	25	960	3,35	Narrow- S 7
776 013 00	130	160	52	58	32	120	30	1360	4,6	Gauge Rail S 10
776 016 00	164	200	64	70	38	140	35	1800	8,8	DIN 5901 S 14

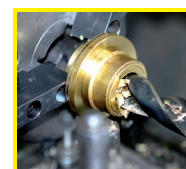
* The wheel loads stated are derived from the dimensions and temperatures listed in the roller bearing catalogues.

For product No. 776 004 00 and 776 005 00 these values are valid at a maximum operating temperature of 90°C; for higher continuous temperatures, please inquire first.

** Not part of our stock. Please inquire at your steel supplier.

Wheel Sizes and Mounting Elements

Product No. Idler	d ₁ mm	b ₁ mm	d ₂ mm	b ₂ mm	Mounting Elements
776 004 00	-	-	-	-	Flat Nut M10 with Lock Washer
776 005 00	-	-	-	-	Flat Nut M12 with Lock Washer
776 006 00	20	3	30	2.5	Hexagon Screw M10 x 16 mm
776 008 00	26	3	37	3.0	Hexagon Screw M12 x 16 mm
776 010 00	32	3	37	3.0	Hexagon Screw M12 x 16 mm
776 013 00	38	3	50	3.0	Hexagon Screw M16 x 20 mm
776 016 00	45	3	60	4.0	Hexagon Screw M20 x 25 mm



**Reworking within
24h-service possible.
Custom made parts
on request.**