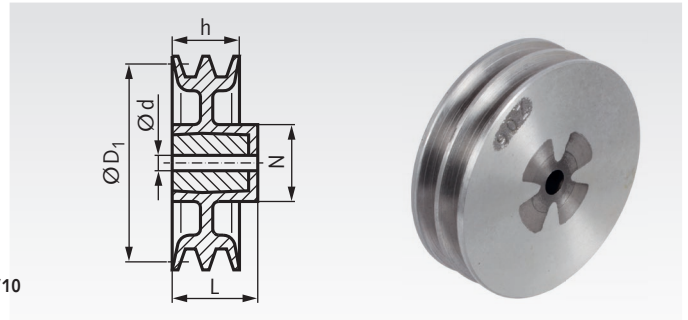


V-Belt Pulleys Made from a Special Light Alloy with Cast-Iron core, 2 Grooves

Bimetal V-belt pulleys similar to DIN 2211 or DIN 2217 matching narrow V-belts DIN 2215 und DIN 7753.

V-belt pulleys with nominal diameters up to and including 250 mm are supplied as solid pulley, from 280 mm Ø as spoked pulley.

¹⁾ Can only be used with standard V-belt DIN 2215 .
* Without cast-iron core.



Ordering Details: e.g.: Product No. 150 202 00, V-Belt Pulley Bi-metal, 2 Grooves, 50/2/10

Profile XPZ, SPZ and Z (10) with 2 Grooves, Rim Width h 28 mm

Product No.	Nominal Ø D ₁ mm	Pilot Hole d approx. mm	max. Bore mm	h mm	Hub Ø N approx. mm	Hub Length L approx. mm	Weight approx. kg
150 203 00	*56 ¹⁾	-	22	28	35	35	0,15
150 206 00	*63	-	25	28	40	35	0,2
150 207 00	*71	-	25	28	40	35	0,3
150 208 00	80	10	28	28	-	28	0,5
150 209 00	90	10	28	28	-	28	0,6
150 210 00	100	10	28	28	-	28	0,7
150 211 00	112	10	35	28	60	32	0,8
150 212 00	125	10	35	28	60	32	0,8
150 214 00	140	12	35	28	60	40	1,0
150 216 00	160	12	35	28	60	40	1,2
150 218 00	180	12	40	28	65	40	1,5
150 220 00	200	12	40	28	65	40	1,6
150 222 00	224	12	40	28	65	40	1,7
150 225 00	250	12	40	28	65	40	2,1
150 228 00	280	12	40	28	65	45	2,4
150 231 00	315	14	45	28	75	45	2,7

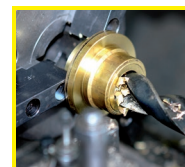
Profile XPA, SPA and A (13) with 2 Grooves, Rim Width h 35 mm

Product No.	Nominal Ø D ₁ mm	Pilot Hole d approx. mm	max. Bore mm	h mm	Hub Ø N approx. mm	Hub Length L approx. mm	Weight approx. kg
152 202 00	*50 ¹⁾	-	22	35	-	35	0,15
152 203 00	*56 ¹⁾	-	22	35	-	35	0,2
152 206 00	*63	-	25	35	40	45	0,25
152 207 00	*71	-	28	35	48	45	0,35
152 208 00	80	10	35	35	60	45	0,7
152 209 00	90	10	35	35	60	45	0,8
152 210 00	100	10	35	35	60	45	0,9
152 211 00	112	12	35	35	60	45	1,0
152 212 00	125	12	35	35	60	45	1,0
152 214 00	140	12	35	35	60	45	1,2
152 216 00	160	12	40	35	65	45	1,5
152 218 00	180	12	40	35	65	45	1,7
152 220 00	200	12	40	35	65	50	1,9
152 222 00	224	12	40	35	65	50	2,2
152 225 00	250	14	45	35	75	50	2,8
152 228 00	280	14	45	35	75	50	2,9
152 231 00	315	14	45	35	75	50	3,2

V-Belt Pulleys GG in Taper bushes-Type see page 185.

Profile XPB, SPB and B (17) with 2 Grooves, Rim Width h 44 mm

Product No.	Nominal Ø D ₁ mm	Pilot Hole d approx. mm	max. Bore mm	h mm	Hub Ø N approx. mm	Hub Length L approx. mm	Weight approx. kg
154 207 00	*71	-	28	44	48	44	0,4
154 208 00	80	10	35	44	60	44	0,7
154 209 00	90	12	35	44	60	44	0,8
154 210 00	100	12	40	44	65	44	1,1
154 211 00	112	12	40	44	65	44	1,3
154 212 00	125	12	40	44	65	44	1,4
154 214 00	140	12	40	44	65	44	1,4
154 216 00	160	12	45	44	75	44	2,0
154 218 00	180	12	45	44	75	50	2,2
154 220 00	200	14	45	44	75	50	2,4
154 222 00	224	14	45	44	75	50	2,8
154 225 00	250	16	45	44	75	50	2,9
154 228 00	280	16	50	44	85	50	3,5
154 231 00	315	20	50	44	85	60	4,3



**Reworking within
24h-service possible.
Custom made parts
on request.**