

Linear Motion Guide DA 0116 RC with Ball Carriage

Material: Track made from aluminium.

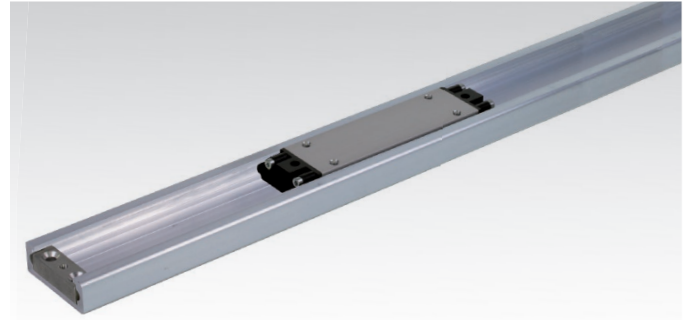
Carriage: Stainless steel housing with plastic sealings.

On choice: With stainless steel balls (greased) or polymer balls (grease free).

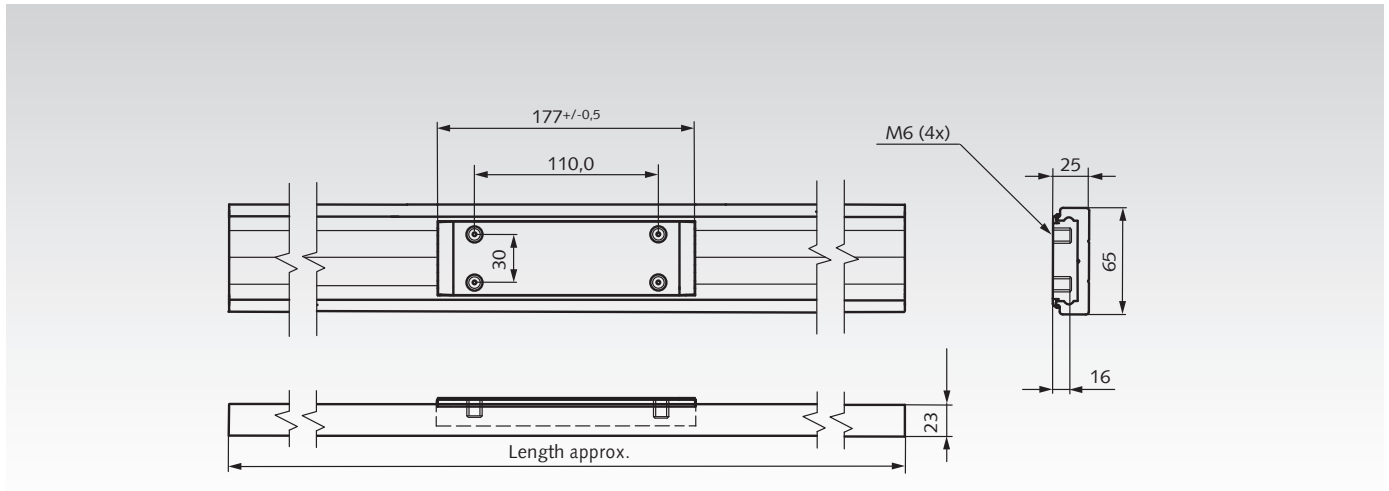
Linear guide for universal use.

- Five track lengths on choice (for to cut by the customer).
- Tracks without boreholes.
- Several carriages can be used on one track.
- Resistant against corrosion and dirt.
- All parts have to be ordered seperately.
- Long service life, tested to 100,000 meters of travel distance.
- Temperature range: -20°C to +70°C.

Ordering details: e.g.: 1x Prod. No. 649 905 01, Carriage,
1x Prod. No. 649 905 06, Track 600mm,
1x Prod. No. 649 905 03, Pair of End Stops

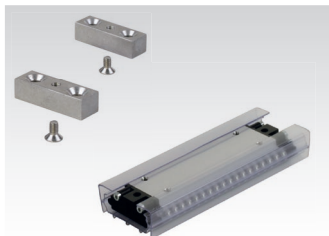


Accuride

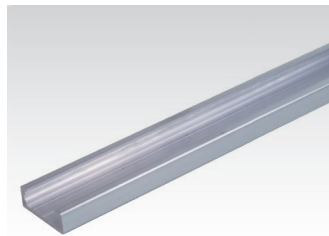


Product No.	Product	Load ratings in kg depending on mounting position and number of carriages									Weight g
		vertically mounted			horizontally monted, lying			horizontally monted, hanging			
		1 Carriage	2 Carri.	3 Carri.	1 Carriage	2 Carri.	3 Carri.	1 Carriage	2 Carri.	3 Carri.	
649 905 01	Carriage with stainless steel balls	150	290	360	90	164	211	120	211	270	559
649 905 02	Carriage with polymer balls	100	180	240	60	109	140	80	141	180	412
649 905 06	Track, length 600mm										785
649 905 12	Track, length 1200mm										1570
649 905 18	Track, length 1800mm										2360
649 905 24	Track, length 2400mm										3150
649 905 36	Track, length 3600mm										4720
649 905 03*	End Stops (1 pair)										51

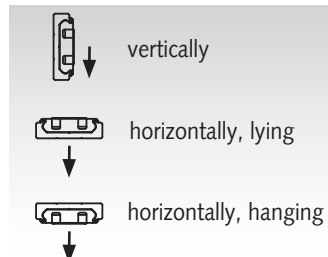
* One pair, with two screws. Each end stop has a central, threaded hole for one screw, to be mounted from the bottom of the rail. In each end stop are two additional through holes, for optional mounting through the rail and the customer's ground plate.



Carriage (with mounting aid) and End Stops have to be ordered seperately.



Tracks on stock without bores. Customized mounting holes against extra charge.



The load ratings depend on the mounting position (see table).

Note

Not recommended for high torque applicatins.
Fix track on a rigid and levelm surface. Fixing recommendation:
M6 countersunk screw or 6mm countersunk wood screw.

Push the carriages with the mounting aid carefully onto the track. Distribute weight evenly across carriages. Infinte track lengths possible. The ends must be reworked fine. Butt tracks end to end and align the centre lines. Reworking on request.