

Ball Flange Bearings SSUCF, Stainless Steel

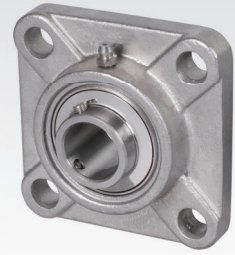
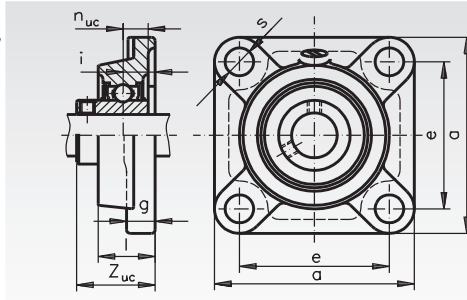
Material: Housing: Stainless steel 1.4305 (X5CrNi18-10, AISI 304).

Rolling bearing: Stainless steel 1.4125 (X105CrMo17, AISI 440 C), lubricated with grease FM 222 for food processing machinery, with registration FDA, CIFA, KPF2K-20, NSF H1.

The rolling bearing can be swiveled when mounting to compensate shaft misalignment. The shaft will get fastened with 2 setscrews. Lubricated for life at normal operating conditions. Re-lubricating is possible.

Delivery with stainless steel grease nipple.

STAINLESS



Ordering Details: e.g.: Product No. 626 990 12, Ball Flange Bearing SSUCF 201, Bore 12mm

Product No. Stainless	SSUCF No.	Bore mm	a mm	e mm	i mm	g mm	l mm	s mm	Z _{uc} mm	n _{uc} mm	Bearing-Load Rating*		Weight kg
											dyn. C kN	stat. C ₀ kN	
626 990 12	201	12	86	64	15	12	25,5	12	33,3	12,7	12,8	6,7	0,84
626 990 15	202	15	86	64	15	12	25,5	12	33,3	12,7	12,8	6,7	0,82
626 990 17	203	17	86	64	15	12	25,5	12	33,3	12,7	12,8	6,7	0,81
626 990 20	204	20	86	64	15	12	25,5	12	33,3	12,7	12,8	6,7	0,79
626 990 25	205	25	95	70	16	14	27	12	35,8	14,3	14,0	7,9	1,02
626 990 30	206	30	108	83	18	14,3	31	12	40,2	15,9	19,5	11,3	1,42
626 990 35	207	35	117	92	19	15,5	34	14	44,4	17,5	25,7	15,3	1,98
626 990 40	208	40	130	102	21	15,5	36	16	51,2	19	29,5	18,2	2,55
626 990 45	209	45	137	105	22	17,5	38	16	52,2	19	31,7	20,7	3,00
626 990 50	210	50	143	111	22	17,5	40	16	54,6	19	35,1	23,2	3,29

* Maximum radial load if axial force = 0.
The axial load rating is approx. 20% of the radial load rating.

Ball Flange Bearings SSUCFL, Stainless Steel

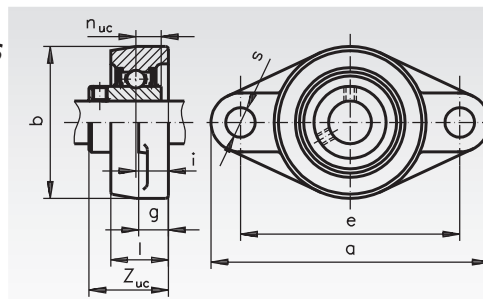
Material: Housing: Stainless steel 1.4305 (X5CrNi18-10, AISI 304).

Rolling bearing: Stainless steel 1.4125 (X105CrMo17, AISI 440 C), lubricated with grease FM 222 for food processing machinery, with registration FDA, CIFA, KPF2K-20, NSF H1.

The rolling bearing can be swiveled when mounting to compensate shaft misalignment. The shaft will get fastened with 2 setscrews. Lubricated for life at normal operating conditions. Re-lubricating is possible.

Delivery with stainless steel grease nipple.

STAINLESS



Ordering Details: e.g.: Product No. 626 991 12, Ball Flange Bearing SSUCFL 201, Bore 12mm

Product No. Stainless	SSUCFL No.	Bore mm	a mm	b mm	e mm	i mm	g mm	l mm	s mm	Z _{uc} mm	n _{uc} mm	Bearing-Load Rating*		Weight kg
												dyn. C kN	stat. C ₀ kN	
626 991 12	201	12	113	60	90	15	11	25,5	12	33,3	12,7	12,8	6,7	0,70
626 991 15	202	15	113	60	90	15	11	25,5	12	33,3	12,7	12,8	6,7	0,68
626 991 17	203	17	113	60	90	15	11	25,5	12	33,3	12,7	12,8	6,7	0,67
626 991 20	204	20	113	60	90	15	11	25,5	12	33,3	12,7	12,8	6,7	0,65
626 991 25	205	25	130	68	99	16	13	27	16	35,7	14,3	14,0	7,9	0,83
626 991 30	206	30	148	80	117	18	13	31	16	40,2	15,9	19,5	11,3	1,26
626 991 35	207	35	161	90	130	19	15	34	16	44,4	17,5	25,7	15,3	1,68
626 991 40	208	40	175	100	144	21	15	36	16	51,2	19	29,5	18,2	2,25
626 991 45	209	45	188	108	148	22	16	38	19	52,2	19	31,7	20,7	2,60
626 991 50	210	50	197	115	157	22	16	40	19	54,6	19	35,1	23,2	2,99

* Maximum radial load if axial force = 0.
The axial load rating is approx. 20% of the radial load rating.