

Slides DZ 3607, Width 19.1 mm, to 120 kg, Full Extension

Material:

Slide elements: Cold-rolled steel, bright zinc-plated.
Ball retainers: Cold-rolled steel, zinc-plated.
Balls: Hardened steel.

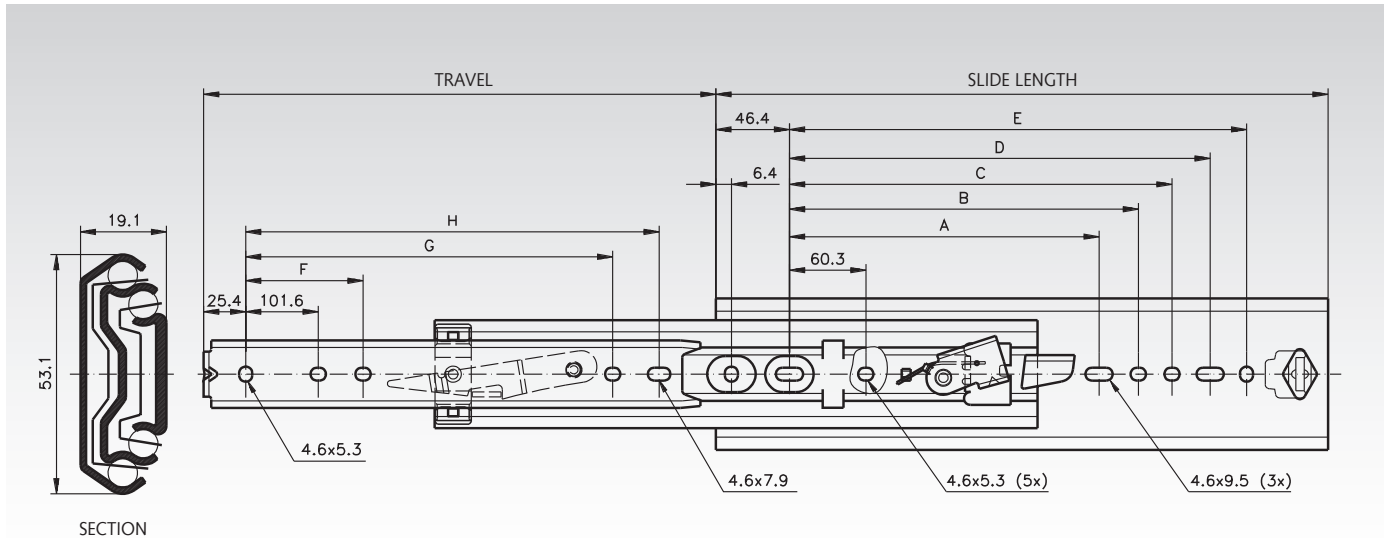
Telescopic ball bearing slides for applications in the industrial and electronics sector.

- Lock-out in open position
- Fast disconnection.
- Mountings included.
- Bracket mount for electrical cabinets on request.
- Service life 10,000 cycles.
- Temperature range: -20°C to +70°C.

Ordering details: e.g.: Prod. No. 649 038 12, Slides DZ 3607



Accuride



| Product No. per Pair | Slide Length mm | Travel +/-3.2 mm | A mm | B mm | C mm | D mm | E mm | F mm | G mm | H mm | Load Rating per Pair kg | Weight per Pair kg |
|----------------------|-----------------|------------------|-------|-------|-------|-------|-------|-------|-------|-------|-------------------------|--------------------|
| 649 038 12 | 305 | 305 | - | 135,4 | 179,1 | 204,5 | 229,9 | - | - | 228,6 | 90 | 1,79 |
| 649 038 14 | 356 | 356 | - | 186,2 | 229,9 | 255,3 | 280,7 | - | - | 279,4 | 90 | 2,08 |
| 649 038 16 | 406 | 406 | - | 237,0 | 280,7 | 306,1 | 331,5 | - | 257,3 | 330,2 | 100 | 2,50 |
| 649 038 18 | 457 | 457 | - | 287,8 | 331,5 | 356,9 | 382,3 | - | 308,1 | 381,0 | 110 | 2,71 |
| 649 038 20 | 508 | 508 | 215,9 | 338,6 | 382,3 | 407,7 | 433,1 | 203,2 | 358,9 | 431,8 | 120 | 3,02 |
| 649 038 22 | 559 | 559 | 241,3 | 389,4 | 433,1 | 458,5 | 483,9 | 228,6 | 409,7 | 482,6 | 110 | 3,32 |
| 649 038 24 | 610 | 610 | 266,7 | 440,2 | 483,9 | 509,3 | 534,7 | 254,0 | 460,5 | 533,4 | 100 | 3,63 |
| 649 038 26 | 660 | 660 | 292,1 | 491,0 | 534,7 | 560,1 | 585,5 | 279,4 | 511,3 | 584,2 | 92 | 3,95 |
| 649 038 28 | 711 | 711 | 317,5 | 541,8 | 585,5 | 610,9 | 636,3 | 304,8 | 562,1 | 635,0 | 83 | 4,22 |

Note

Side-specific slide assembly: Levers move in same direction when pair of slides is installed.

Recommended mounts: M4 screw.

Use all mounting positions to achieve the max. load rating.

Attention: Vertical mounting only.