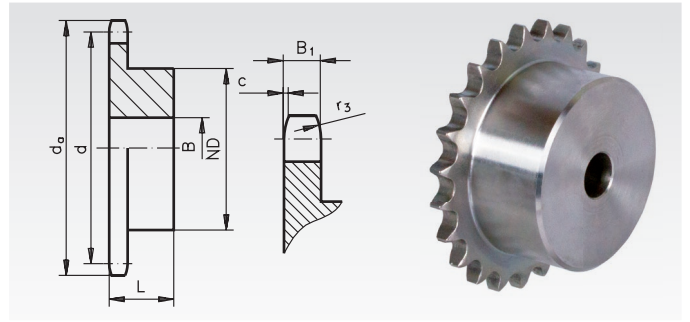


## Sprockets KRR Made from Stainless Steel, with One-Sided Hub

Material: Stainless steel 1.4305.  
Teeth milled, pre-bored.



Ordering Details: e.g.: Product No. 105 991 12, Sprocket 08 B-1, 12 Teeth, Stainless

### ISO 08 B-1, Pitch 1/2 x 5/16", B<sub>1</sub> = 7.2 mm, c = 1.3 mm, r<sub>3</sub> = 13 mm

Product No.	Number of teeth	d <sub>a</sub> mm	d mm	ND mm	B mm	L mm	Weight kg
105 991 12	12	53,0	49,07	33	10	28	0,21
105 991 13	13	57,9	53,07	37	10	28	0,27
105 991 14	14	61,8	57,07	41	10	28	0,32
105 991 15	15	65,9	61,09	45	10	28	0,40
105 991 16	16	69,9	65,10	50	12	28	0,47
105 991 17	17	74,0	69,11	52	12	28	0,51
105 991 18	18	78,0	73,14	56	12	28	0,59
105 991 19	19	82,0	77,16	60	12	28	0,67
105 991 20	20	86,0	81,19	64	12	28	0,78
105 991 21	21	90,1	85,22	68	14	28	0,86
105 991 22	22	93,8	89,24	70	14	28	0,92
105 991 23	23	98,1	93,27	70	14	28	0,96
105 991 24	24	101,8	97,29	70	14	28	0,97
105 991 25	25	106,2	101,33	70	14	28	1,03
105 991 26	26	110,0	105,36	70	16	30	1,10
105 991 30	30	126,3	121,50	80	16	30	1,48
105 991 32	32	134,3	129,56	90	16	30	1,79
105 991 35	35	146,7	141,68	90	16	30	1,92
105 991 38	38	158,6	153,80	90	16	35	2,32
105 991 40	40	166,8	161,87	90	16	35	2,44

### ISO 10 B-1, Pitch 5/8 x 3/8", B<sub>1</sub> = 9.1 mm, c = 1.6 mm, r<sub>3</sub> = 16 mm

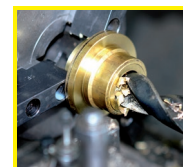
Product No.	Number of teeth	d <sub>a</sub> mm	d mm	ND mm	B mm	L mm	Weight kg
106 991 12	12	68,0	61,34	42	12	30	0,38
106 991 13	13	73,0	66,32	47	12	30	0,48
106 991 14	14	78,0	71,34	52	12	30	0,57
106 991 15	15	83,0	76,36	57	12	30	0,70
106 991 16	16	88,0	81,37	60	14	30	0,75
106 991 17	17	93,0	86,39	60	14	30	0,81
106 991 18	18	98,3	91,42	70	14	30	1,04
106 991 19	19	103,3	96,45	70	14	30	1,18
106 991 20	20	108,4	101,49	75	14	30	1,23
106 991 21	21	113,4	106,52	75	16	30	1,38
106 991 22	22	118,0	111,55	80	16	30	1,40
106 991 23	23	123,4	116,58	80	16	30	1,50
106 991 24	24	128,3	121,62	80	16	30	1,53
106 991 25	25	134,0	126,66	80	16	30	1,62
106 991 30	30	158,8	151,87	90	20	35	2,46

### ISO 12 B-1, Pitch 3/4 x 7/16", B<sub>1</sub> = 11.1 mm, c = 2 mm, r<sub>3</sub> = 19 mm

Product No.	Number of teeth	d <sub>a</sub> mm	d mm	ND mm	B mm	L mm	Weight kg
107 991 12	12	81,5	73,61	52	16	35	0,67
107 991 13	13	87,5	79,59	58	16	35	0,83
107 991 14	14	93,6	85,61	64	16	35	1,00
107 991 15	15	99,8	91,63	70	16	35	1,19
107 991 16	16	105,5	97,65	75	16	35	1,38
107 991 17	17	111,5	103,67	80	16	35	1,57
107 991 18	18	118,0	109,71	80	16	35	1,65
107 991 19	19	124,2	115,75	80	16	35	1,75
107 991 20	20	129,7	121,78	80	16	35	1,84
107 991 21	21	136,0	127,82	90	20	40	2,40
107 991 22	22	141,8	133,86	90	20	40	2,47
107 991 23	23	149,0	139,90	90	20	40	2,61
107 991 24	24	153,9	145,94	90	20	40	2,68
107 991 25	25	160,0	152,00	90	20	40	2,85
107 991 30	30	190,5	182,25	95	20	40	3,61

### ISO 16 B-1, Pitch 1" x 17.02mm, B<sub>1</sub> = 16.2 mm, c = 2.5 mm, r<sub>3</sub> = 26 mm

Product No.	Number of teeth	d <sub>a</sub> mm	d mm	ND mm	B mm	L mm	Weight kg
108 991 12	12	109,0	98,14	69	16	40	1,46
108 991 13	13	117,0	106,12	78	16	40	1,83
108 991 14	14	125,0	114,15	84	16	40	2,10
108 991 15	15	133,0	122,17	92	16	40	2,53
108 991 16	16	141,0	130,20	100	20	45	3,22
108 991 17	17	149,0	138,22	100	20	45	3,42
108 991 18	18	157,0	146,28	100	20	45	3,64
108 991 19	19	165,2	154,33	100	20	45	3,88
108 991 20	20	173,0	162,38	100	20	45	4,10
108 991 21	21	181,2	170,43	110	20	50	5,12
108 991 22	22	189,3	178,48	110	20	50	5,36
108 991 23	23	197,5	186,53	110	20	50	5,59
108 991 24	24	205,5	194,59	110	20	50	5,92
108 991 25	25	213,5	202,66	110	20	50	6,21
108 991 30	30	254,0	243,00	120	20	50	8,42



Reworking within  
24h-service possible.  
Custom made parts  
on request.