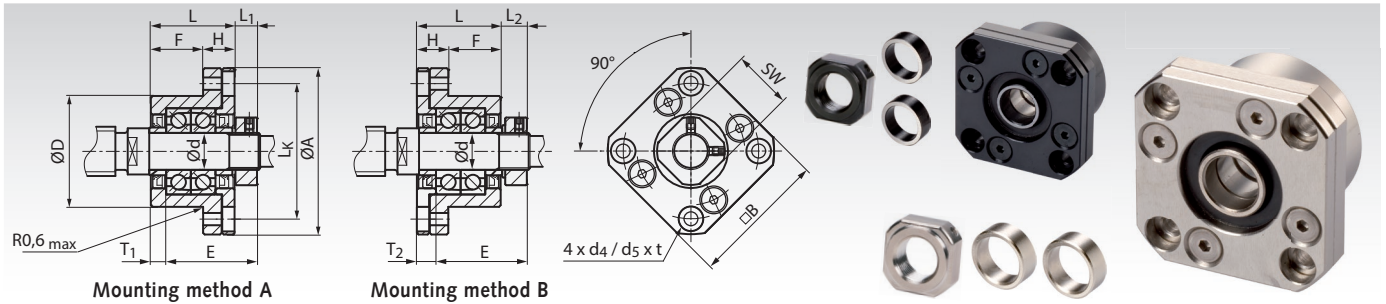


Flange Bearing Units FK, for Fixed Side



Material: Housing from steel, all surfaces machined, black oxide finished or nickel plated. With quality rolling bearings from Japan.

Ready-to-install housing bearing unit for trapezoidal and ballscrew spindle drives, for the fixed side. With two angular contact ball bearings, lightly preloaded, with seals. With 4 mounting holes.

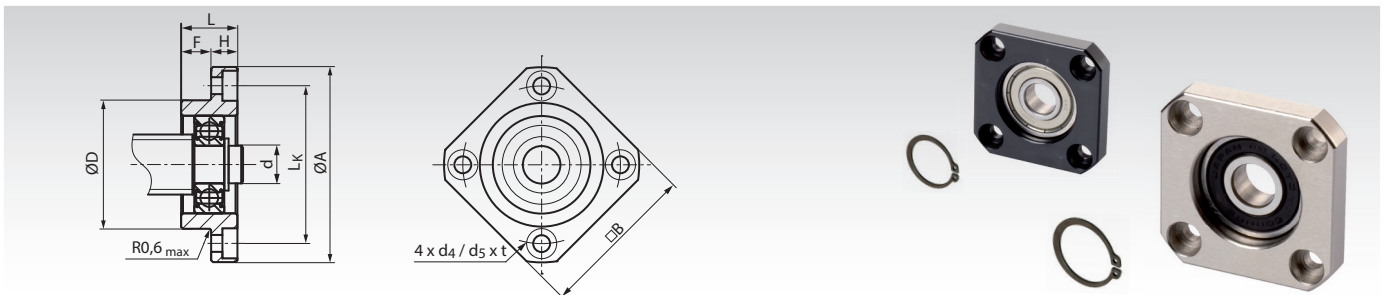
Types FK06 and FK08 sealed only on the cylindrical side. Locknut and distance bushes are included. Due to the standard dimensions, these units can also replace parts of other suppliers.

Spindle reworking (on request) and bearing load data see page 417. Matching counterpart for support side: Flange Bearing FF.

Ordering Details: e.g.: Product No. 642 005 06, Flange Bearing Unit FK 6, Bore 6mm, black oxidized

Product No. black oxidized	Product No. nickeled	Type	d mm	L mm	H mm	F mm	E mm	D ^{g6} mm	A mm	L _k mm	B mm	L ₁ mm	T ₁ mm	L ₂ mm	T ₂ mm	d ₄ mm	d ₅ mm	t mm	SW mm	Weight kg
642 005 06	642 015 06	FK 06	6	20	7	13	22	22	36	28	28	5,5	3,5	6,5	4,5	3,4	6	3,3	12	0,08
642 005 08	642 015 08	FK 08	8	23	9	14	26	28	43	35	35	7,0	4	8	5	3,4	6	3,3	14	0,15
642 005 10	642 015 10	FK 10	10	27	10	17	29,5	34	52	42	42	7,3	5	8,5	6	4,5	8	4	16	0,21
642 005 12	642 015 12	FK 12	12	27	10	17	29,5	36	54	44	44	7,3	5	8,5	6	4,5	8	4	19	0,22
642 005 15	642 015 15	FK 15	15	32	15	17	36	40	63	50	52	9,8	6	12	8	5,5	9,5	6	22	0,39
642 005 17	642 015 17	FK 17	17	45	22	23	47	50	77	62	61	11,0	9	14	12	6,6	11	10	24	0,85
642 005 20	642 015 20	FK 20	20	52	22	30	50	57	85	70	68	7,8	10	12	14	6,5	11	10	30	1,09
642 005 25	642 015 25	FK 25	25	57	27	30	60	63	98	80	79	12,8	10	20	17	9	15	13	35	1,49
642 005 30	642 015 30	FK 30	30	62	30	32	61	75	117	95	93	10,8	12	17	18	11	17,5	15	40	2,32

Flange Bearing Units FF, for Support Side



Material: Housing from steel, all surfaces machined, black oxide finished or nickel plated. With quality rolling bearing from Japan.

Ready-to-install housing bearing unit for trapezoidal and ballscrew spindle drives, for the support side. With one movable single row deep groove ball bearing. With 4 mounting holes.

Retaining ring for fixing on the spindle end is included.

Due to the standard dimensions, these units can also replace parts of other suppliers.

Spindle reworking (on request) and bearing load data see page 417. Matching counterpart for fixed side: Flange Bearing FK.

Ordering Details: e.g.: Product No. 642 006 06, Flange Bearing Unit FF 6, Bore 6mm, black oxidized

Product No. black oxidized	Product No. nickeled	Type	d mm	L mm	H mm	F mm	D ^{g6} mm	A mm	L _k mm	B mm	d ₄ mm	d ₅ mm	t mm	Weight kg
642 006 06	642 016 06	FF 06	6	10	6	4	22	36	28	28	3,4	6,0	3,3	0,04
642 006 10	642 016 10	FF 10	8	12	7	5	28	43	35	35	3,4	6,0	3,3	0,07
642 006 12	642 016 12	FF 12	10	15	7	8	34	52	42	42	4,2	8	4,4	0,11
642 006 15	642 016 15	FF 15	15	17	9	8	40	63	50	52	5,2	9,5	5,4	0,20
642 006 17	642 016 17	FF 17	17	20	11	9	50	77	62	61	6,6	11	8,6	0,35
642 006 20	642 016 20	FF 20	20	20	11	9	57	85	70	68	6,3	11	6,5	0,27
642 006 25	642 016 25	FF 25	25	24	14	10	63	98	80	79	8,7	14	8,6	0,67
642 006 30	642 016 30	FF 30	30	27	18	9	75	117	95	93	10,7	17,5	10,8	1,07

With quality rolling bearings from Japan.

Spindle reworking and bearing load data page 417.