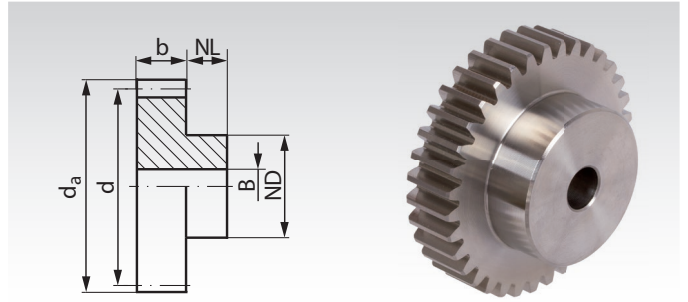


Spur Gears Made from Stainless Steel with One-Sided Hub, Milled Teeth, Straight Tooth System

Material: Stainless steel 1.4305.

Tooth quality 8d25 DIN 3967.

Pressure angle 20°.



Ordering Details: e.g.: Product No. 233 990 12, Spur Gear, Stainless Steel, Module 3, 12 Teeth

Module 3 Tooth Width b = 25 mm

Product No.	Number of teeth	b mm	d_a mm	d mm	NL mm	ND mm	BH7 mm	perm. MT* Nm	Weight g
233 990 12	12	25	42	36	15	25	12	4,3	210
233 990 14	14	25	48	42	15	25	12	5,4	280
233 990 15	15	25	51	45	15	35	12	6,0	378
233 990 16	16	25	54	48	15	35	12	6,5	410
233 990 18	18	25	60	54	15	45	12	7,6	586
233 990 20	20	25	66	60	15	45	15	9,8	670
233 990 22	22	25	72	66	15	45	15	12,2	780
233 990 24	24	25	78	72	15	50	15	15,0	957
233 990 25	25	25	81	75	15	50	15	16,6	1019
233 990 26	26	25	84	78	15	50	15	18,2	1080
233 990 28	28	25	90	84	15	50	20	21,6	1190
233 990 30	30	25	96	90	15	50	20	25,4	1355
233 990 35	35	25	111	105	15	60	20	33,9	1904
233 990 36	36	25	114	108	15	60	20	36,8	2000
233 990 40	40	25	126	120	20	70	20	49,7	2670
233 990 45	45	25	141	135	20	70	20	65,5	3263
233 990 48	48	25	150	144	20	80	20	77,6	3841
233 990 50	50	25	156	150	20	80	20	88,0	4101
233 990 60	60	25	186	180	20	90	20	149,2	5830

Module 4 Tooth Width b = 30 mm

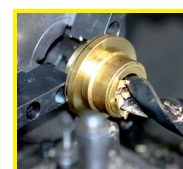
Product No.	Number of teeth	b mm	d_a mm	d mm	NL mm	ND mm	BH7 mm	perm. MT* Nm	Weight g
234 990 12	12	30	56	48	20	35	15	9,8	480
234 990 14	14	30	64	56	20	40	15	12,4	680
234 990 15	15	30	68	60	20	40	15	13,8	760
234 990 16	16	30	72	64	20	40	20	14,7	800
234 990 18	18	30	80	72	20	50	20	17,5	1110
234 990 20	20	30	88	80	20	50	20	22,6	1330
234 990 24	24	30	104	96	20	60	20	35,0	1980
234 990 25	25	30	108	100	20	60	20	40,0	2120
234 990 28	28	30	120	112	20	60	20	49,0	2580
234 990 30	30	30	128	120	20	70	20	60,0	3080
234 990 35	35	30	148	140	20	70	25	85,0	3970
234 990 40	40	30	168	160	20	80	25	125,0	5270
234 990 45	45	30	188	180	20	80	25	176,0	6520
234 990 48	48	30	200	192	20	100	25	214,0	7780
234 990 50	50	30	208	200	20	100	25	240,0	8360
234 990 60	60	30	248	240	20	100	25	382,0	11500

* Basis of calculations see page 197.

Gears Stainless Module 1.59 and 3.18 Page 251

Gear Racks stainless Page 263

Round Gear Racks stainless Page 265



**Reworking within
24h-service possible.
Custom made parts
on request.**