

Slides DZ / DS 0305, Width 19.1 mm, to 70 kg, Over Extension

Material DZ 0305: Slide elements: Cold-rolled steel, bright zinc-plated. Ball retainers: Cold-rolled steel, zinc-plated. Balls: Hardened steel.

Material DS 0305: Stainless steel 1.4301.



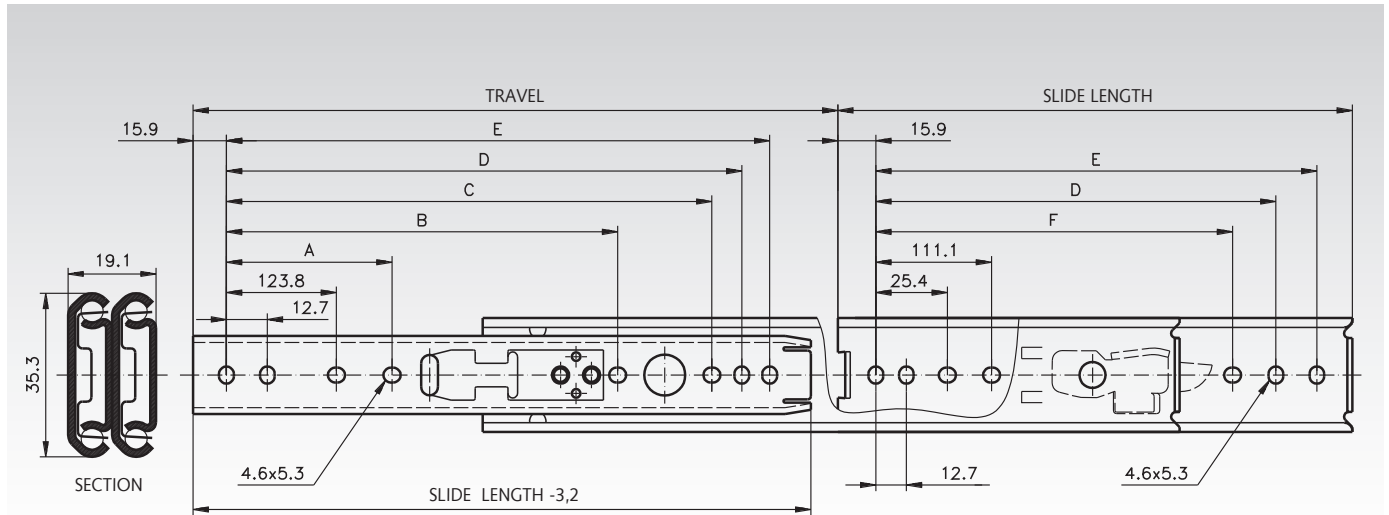
Telescopic ball bearing slides for applications in the industrial and electronics sector.

- Locks in open position.
- Fast disconnection.
- Bracket mount for electrical cabinets on request, only for DZ0305
- Service life 10,000 cycles.
- Temperature range: DZ 0305: -20°C to +110°C.
DS 0305: -20°C to +70°C.



Accuride

Ordering details: e.g.: Prod. No. 649 024 12, Slides DZ 0305



Product No. per Pair DZ 0305	Product No. per Pair DS 0305	Slide Length mm	Travel -3,2 mm	A mm	B mm	C mm	D mm	E mm	F mm	Load Rating per Pair kg	Weight per Pair kg
649 024 12	649 224 12	305	327	-	-	-	260,3	273,0	-	70	1,27
649 024 14	649 224 14	356	378	-	-	298,4	311,1	323,8	-	68	1,46
649 024 16	649 224 16	406	429	-	-	349,2	361,9	374,6	250,8	65	1,63
649 024 18	649 224 18	457	480	212,7	-	400,0	412,7	425,4	301,6	62	1,88
649 024 20	649 224 20	508	531	238,1	365,2	450,8	463,5	476,2	352,4	57	2,04
649 024 22	649 224 22	559	581	263,5	415,9	501,6	514,3	527,0	403,2	52	2,29
649 024 24	649 224 24	610	632	288,9	466,7	552,4	565,1	577,8	454,0	46	2,50
649 024 26	649 224 26	660	683	314,3	517,7	603,2	615,9	628,6	504,8	41	2,67
649 024 28	649 224 28	711	734	339,7	568,3	654,0	666,7	679,4	555,6	36	2,89

Note

Recommended mounts: M4 screw.
Max. head. height 2,5mm/Ø9,6mm.
Use all mounting positions to achieve the max. load rating.

For horizontally (flat) mounted slides the load bearing capacity is reduced to only 25% of the stated load rating.