

Slides DS 3031, Width 19.1 mm, to 80 kg, Stainless Steel, Over Extension

Material: Stainless steel 1.4301.



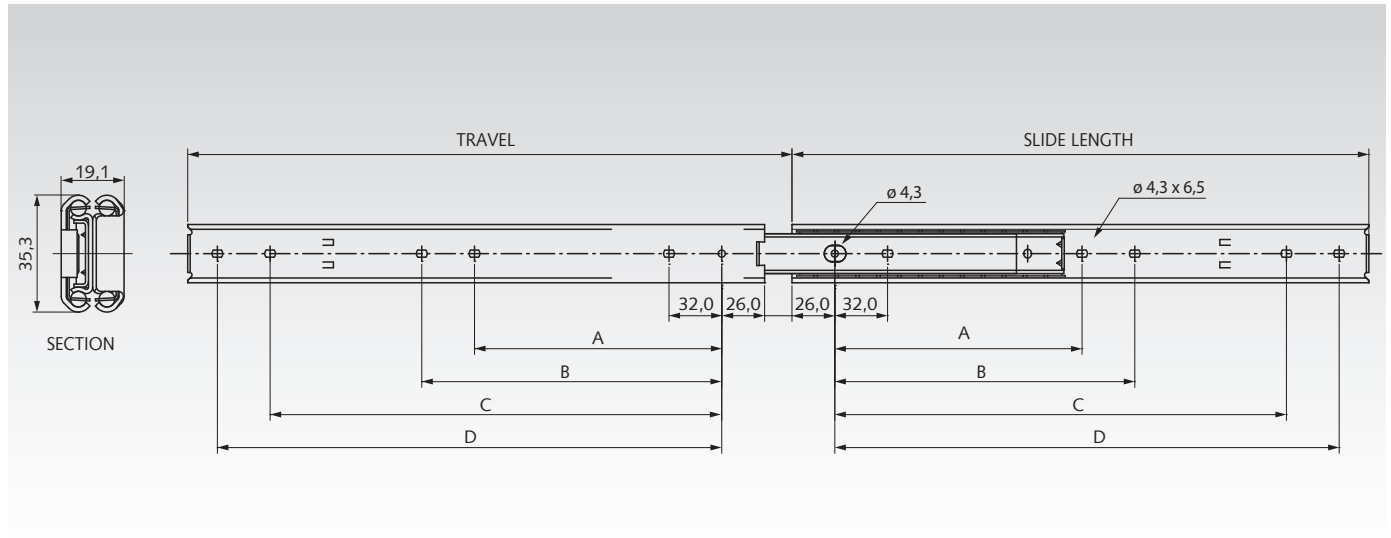
Telescopic ball bearing slides for applications also at high temperature areas.

- High temperature food-grade grease.
- Ideal for environments where mild steel might corrode.
- Service life 10,000 cycles.
- Temperature range: -20°C to +300°C.



Accuride

Ordering details: e.g.: Prod. No. 649 035 30, Slides DS 3031



Product No. per Pair	Slide Length mm	Travel +/-3.2 mm	A mm	B mm	C mm	D mm	Load Rating per Pair kg	Weight per Pair kg
649 035 30	300	317	-	-	224	256	65	1,53
649 035 35	350	367	-	-	256	288	70	1,72
649 035 40	400	416	-	192	320	352	75	1,91
649 035 45	450	465	-	224	352	384	80	2,10
649 035 50	500	514	256	288	416	448	75	2,29
649 035 55	550	563	288	320	480	512	70	2,48
649 035 60	600	613	320	352	512	544	65	2,67
649 035 65	650	662	320	352	576	608	60	2,86
649 035 70	700	711	352	384	608	640	55	3,05

Note

Recommended mounts: M4 screw, max. head height 2.5mm, max. head ϕ 9.6mm.
Use all mounting positions to achieve the max. load rating.

Selection Tool
on the Internet at www.maedler.de
in the section MÄDLER®-Tools