

Precision Needle-Bearing Universal Joints similar to DIN 808

The needle-bearing universal joints have almost zero backlash, high accuracy and good turning properties. These special needle-rollers without cage can take high loads even at large operating angles. A special grinding process realizes a perfect

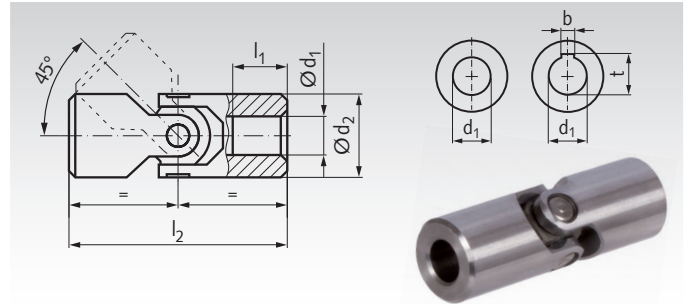
parallelism of the axes and the single parts of the joints - which guarantees an extremely long service life.

Single, Precision Universal Joints WEN with Needle-Roller Bearings

Material: Steel 35SMnPb10, Bearing Parts 18NiCrMo5Pb.

Max. Operating Angle 45°.

Optionally without or with keyway DIN 6885-1, on both sides.



Ordering Details: e.g.: Product No. 631 116 00, Precision, Universal Joint WEN, 8 mm Bores, without Keyway

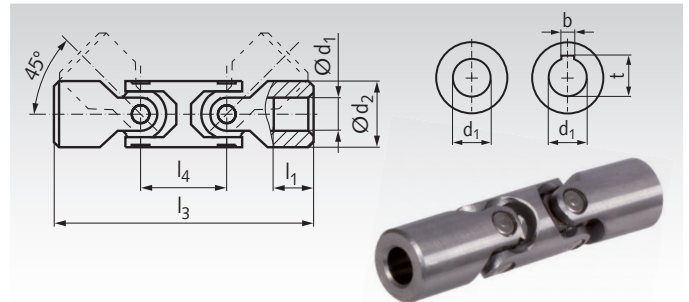
Product No. without keyway	Product No. with keyway	d ₁ ^{H7} mm	d ₂ mm	l ₁ mm	l ₂ mm	b ^{JS9} mm	t mm	perm. max. Torques at different Speeds				Weight kg
								250 min ⁻¹ Nm	500 min ⁻¹ Nm	1000 min ⁻¹ Nm	4000 min ⁻¹ Nm	
631 116 00	631 116 00N	8	16	15	52	2	9,0	6,9	6,9	6,9	-	0,05
631 122 00	631 122 00N	10	20	18	62	3	11,4	26,4	20,4	16,8	10,8	0,10
631 126 00	631 126 00N	14	25	20	74	5	16,3	41	35	29	22	0,18
631 132 00	631 132 00N	16	32	24	86	5	18,3	78	66	54	38	0,33
631 137 00	631 137 00N	18	37	17	72	6	20,8	90	73	60	43	0,40
631 140 00	631 140 00N	20	40	30	108	6	22,8	168	144	120	78	0,71
631 150 00	631 150 00N	25	50	38	132	8	28,3	240	204	156	102	1,33
631 163 00	631 163 00N	30	63	45	166	8	33,3	360	324	276	168	2,78
631 170 00	631 170 00N	35	70	35	140	10	38,3	391	332	284	-	2,75
631 180 00	631 180 00N	40	80	50	180	12	43,3	438	364	306	-	4,93

Double, Precision Universal Joints WDN with Needle-Roller Bearings

Material: Steel 35SMnPb10, Bearing Parts 18NiCrMo5Pb.

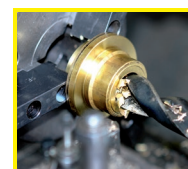
Max. Operating Angle 90°.

Optionally without or with keyway DIN 6885-1, on both sides.



Ordering Details: e.g.: Product No. 631 620 00, Precision Universal Joint WDN, 10 mm Bores, without Keyway

Product No. without keyway	Product No. with keyway	d ₁ ^{H7} mm	d ₂ mm	l ₁ mm	l ₃ mm	l ₄ mm	b ^{JS9} mm	t mm	perm. max. Torques at different Speeds				Weight kg
									250 min ⁻¹ Nm	500 min ⁻¹ Nm	1000 min ⁻¹ Nm	4000 min ⁻¹ Nm	
631 620 00	631 620 00N	10	20	18	88	26	3	11,4	26,4	20,4	16,8	10,8	0,14
631 626 00	631 626 00N	14	25	19	104	33	5	16,3	41	35	29	21,6	0,24
631 632 00	631 632 00N	16	32	24	125	39	5	18,3	78	66	54	38	0,52
631 640 00	631 640 00N	20	40	30	156	48	6	22,8	168	144	120	78	1,01
631 650 00	631 650 00N	25	50	37	188	59	8	28,3	240	204	156	102	1,63
631 663 00	631 663 00N	30	63	44	238	80	8	33,3	360	324	276	168	3,90
631 670 00	631 670 00N	35	70	30	212	78	10	38,3	391	332	284	-	4,08
631 680 00	631 680 00N	40	80	48	290	120	12	43,3	438	364	306	-	7,96



**Reworking within
24h-service possible.
Custom made parts
on request.**