



Installation Guides



GB

Accuride Auszugschienen / Telescopic slides / Glissières à billes

DZ 2907



Zuständige Mädler-Niederlassungen
nach Postleitzahlgebieten:

Responsible MAEDLER branches
according to German Post Code Areas:

PLZ 1, 2 und 3
Niederlassung
Mädler GmbH
Brookstieg 16
D-22145 Stapelfeld
Tel. +49 40-60 04 75 10
Fax +49 40-60 04 75 33
hamburg@maedler.de

PLZ 0, 4 und 5
Niederlassung
Mädler GmbH
Bublitzer Str. 21
D-40599 Düsseldorf
Tel. +49 211-97 47 1 0
Fax +49 211-97 47 1 33
duesseldorf@maedler.de

PLZ 6, 7, 8 und 9
Hauptsitz
Mädler GmbH
Tränkestr. 6-8
D-70597 Stuttgart
Tel. +49 711-7 20 95 0
Fax +49 711-7 20 95 33
stuttgart@maedler.de

Zuständig
für Schweiz:

For Switzerland:

Mädler Norm-Antrieb AG
Postfach 74
Güterstr. 6
CH-8245 Feuerthalen
Tel. +41 52-647 40 40
Fax +41 52-647 40 41
info@maedler.ch
www.maedler.ch

Stand 04.04.2013

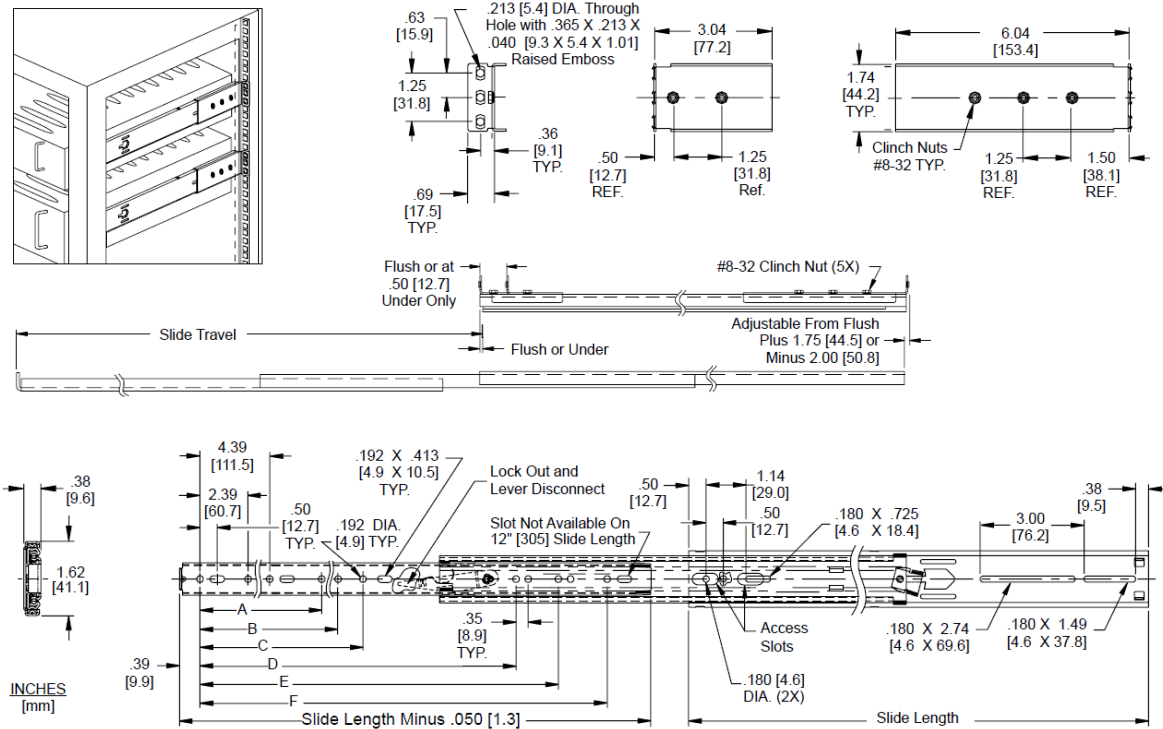
Verfügbare Sprache: nur englisch.
Aktuell im Internet auf www.maedler.de



MODEL 2907

APPLICATIONS: Use model 2907 whenever an ultra-thin, medium duty, over travel, rack-mount slide is required. For use on electronic chassis, keyboards, fantrays, and other rack-mount applications. Accommodates chassis from 1U to 4U. This product is covered by U.S. and various foreign patents issued and/or pending.

Ball Bearing Electronic Enclosure Slide
 .38" [9.6 mm] Width
 1.62" [41.1 mm] Height
 2.00" [50.8 mm] Over Travel
 Up to 115 lb. [□] [52.3 kg] Capacity



INCHES
[mm]

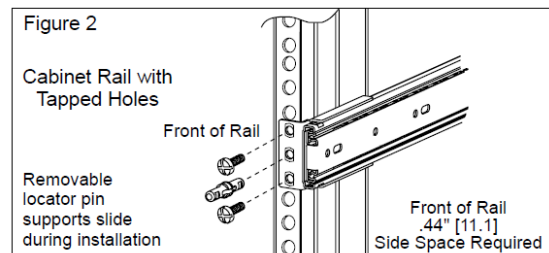
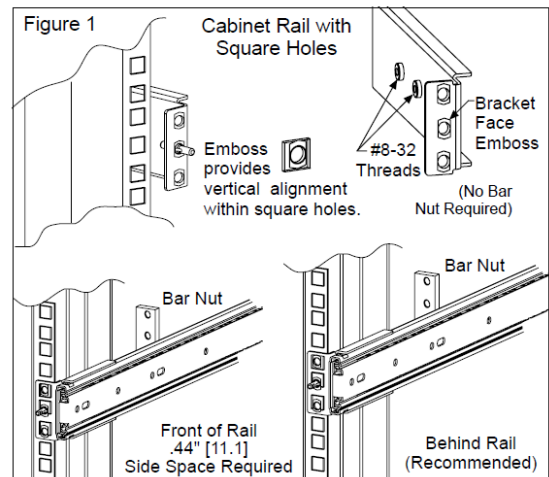
Finish	Clear electroplate (C) finish
Length	12"–30" [305 mm–762 mm]
Height	1.62" [41.1 mm]
Load	See chart [□]
Side Space	.38" ± 0.030 ^{** †} [9.6 mm ± 0.76 mm]
Travel	2.00" [50.8 mm] Over travel
Mounting	Chassis Member: #8 pan head screw
Features	Outer Member: Adjustable front and rear mounting brackets Unhanded, lock-out and disconnect, lead-in pins

- [□] Load rating based on an 16" [406 mm] wide chassis cycled 2,000 times.
- [†] Brackets behind EIA rail with square.
- ^{**} No lateral adjustment with EIA rails using round or tapped holes.

Part Number	Slide Length	Slide Travel	[□] Load Rating per Pair lb. [kg.]	A	B	C	D	E	F
2907-12	12.00 [305]	14.00 [356]	60 lb. [27.2 kg.]						9.25 [235.0]
2907-14	14.00 [356]	16.00 [406]	80 lb. [36.3 kg.]						11.25 [285.8]
2907-16	16.00 [406]	18.00 [457]	100 lb. [45.4 kg.]	6.40 [162.6]					13.25 [336.5]
2907-18	18.00 [457]	20.00 [508]	115 lb. [52.2 kg.]			6.49 [164.8]	12.38 [314.3]		15.25 [387.3]
2907-20	20.00 [508]	22.00 [559]	114 lb. [51.7 kg.]		6.78 [172.1]	8.00 [203.2]	14.03 [356.2]		17.25 [438.1]
2907-22	22.00 [559]	24.00 [610]	112 lb. [50.8 kg.]			8.39 [213.0]	16.03 [407.0]		19.25 [488.9]
2907-24	24.00 [610]	26.00 [660]	110 lb. [49.9 kg.]	10.00 [254.0]	10.78 [273.7]			18.03 [457.8]	21.25 [539.7]
2907-26	26.00 [660]	28.00 [711]	110 lb. [49.9 kg.]	5.53 [140.3]	9.15 [232.4]	10.60 [269.1]	16.40 [416.6]	20.03 [508.6]	23.25 [590.5]
2907-28	28.00 [711]	30.00 [762]	110 lb. [49.9 kg.]	7.53 [191.1]	11.15 [283.2]	12.00 [304.8]	18.40 [467.4]	22.03 [559.4]	25.25 [641.4]
2907-30	30.00 [762]	32.00 [813]	110 lb. [49.9 kg.]		9.53 [241.9]	12.60 [319.9]	20.40 [518.2]	24.03 [610.2]	27.25 [692.1]

Installation Instructions

- Slide chassis member (smallest) is removable. Separate slide members by lifting left hand side lever up, and right hand side lever down. Keep slide chassis members with original outer members.
- Slide has front and rear adjustable EIA brackets. Attach front brackets to outer slide member using #8-32 machine screws by aligning access slots on brackets to outer member holes. Front brackets can be mounted flush or 1/2" [12.7 mm] back from front of slide based on user needs.
- Establish distance from front cabinet rail to rear cabinet rail and attach rear brackets to slide. Do not fully tighten rear bracket mounting screws until final adjustment is made.
- Insert removable locator pin into center hole of brackets.
- Slide will mount to various cabinet rails at various locations on side of chassis. See illustrations at right.
- Place slide into desired position and fully extend against EIA rails. Locator pins will support slide and bar nut while attaching screws.
- Attach slide to EIA rail with #10-32 screws and fasten with bar nuts. Once screws are secure, remove locator pins. Do not fully tighten screws until final adjustment is made.
- Mount slide chassis members (smallest) to the chassis.
- With cabinet members in the open or closed position, bring ball retainer to full forward position. Install chassis by engaging the slide members and close completely. **Locks will engage on initial insertion and must be released to fully close.** Check slide alignment by opening and closing the chassis. Any sign of binding indicates lateral stress or misalignment.
- Adjust slide position until movement is smooth. Tighten all screws and complete installation.



NOTE: To remove chassis, lift the lever on the left hand slide up and the lever on the right hand slide down.

