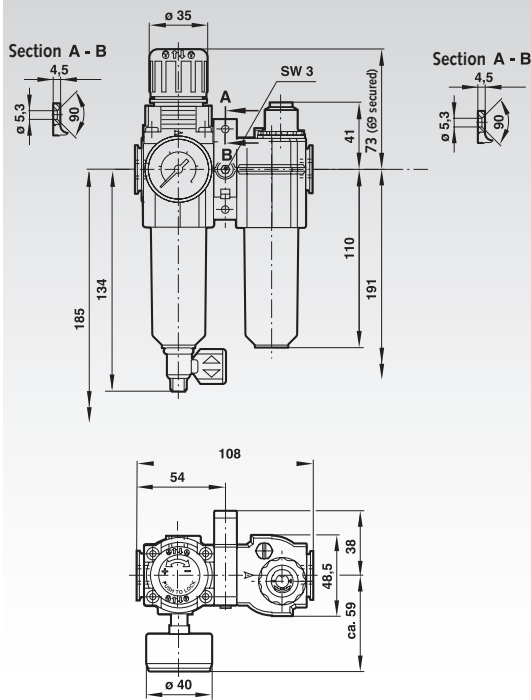
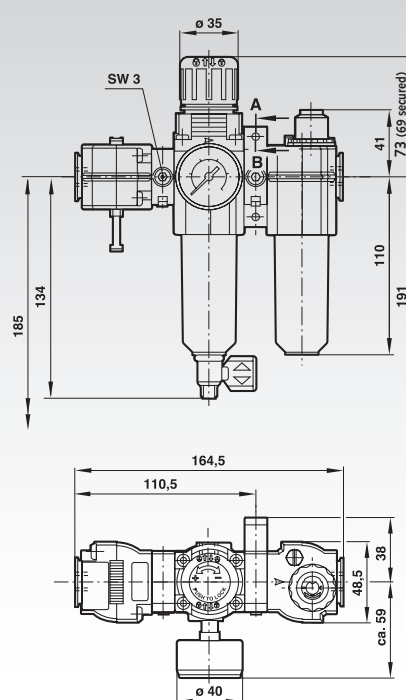


Product No. 830 001 00



Product No. 830 003 00



Materials:

Bowl: Polycarbonate.
 Housing: Zinc die-cast.
 O-ring seals: synthetic elastomers.
 Filter element: Polypropylene.

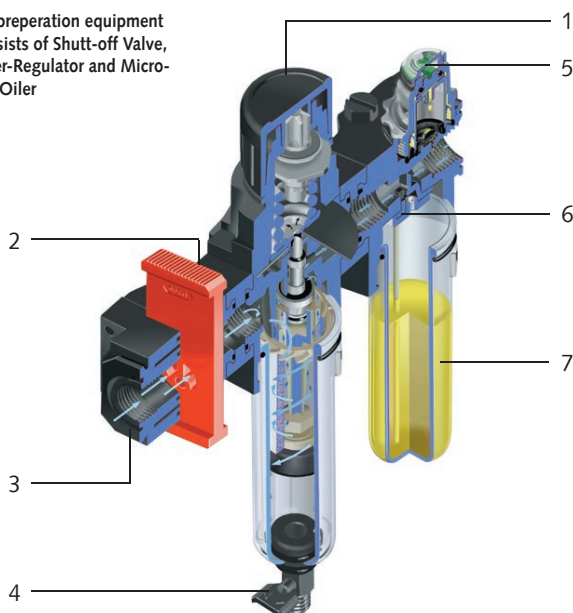
Medium: Compressed Air.
 Operating temperature: -20°C to +65°C.
 For temperatures below +2°C please take the air properties into account.

Ordering Details: e.g.: Product No. 830 001 00, Air Preparation Unit without Shut-Off Valve

Operating pressure: max. 10 bar.
 Pressure range: 0.3 to 10 bar.
 Relief valve: Standard with relief valve.
 Pressure Gauge: Standard.
 Filter element: 40 µm standard.
 Bowl size (oilier): 0.04 litre.
 Max. flow: 13 l/s (connection G1/4, inlet pressure 10 bar).
 Set pressure: 6.3 bar, Δp = 1 bar).
 Draining: Manual.
 Oiler version: Micro-fog oiler.

Symbol	Product No.	Connection	Shut-off valve	Weight g
	830 001 00	G 1/4	without	1122
	830 003 00	G 1/4	with	1415

Air preparation equipment consists of Shut-off Valve, Filter-Regulator and Micro-fog Oiler



The patented Quikclamps® allows the equipment to be used in individual or modular installations. The Quikclamp®-Connection Set also allows the mounting and maintenance of individual units without removing the tubes. Equipment like pressure regulators can be easily mounted in four different operation levels.

- 1 Push-to-lock adjusting knob.
- 2 Easy mounting and maintenance due to Quikclamp®.
- 3 3/2-way shut-off valve – compact, lockable, with relief function.
- 4 Easy handling for manual draining of condensate.
- 5 Lubricator sight-feed dome simplifies adjustment and readability of the oil drip rate.
- 6 Micro-fog oiler produces a fine oil fog – ideal for long and complex pipeworks.
- 7 Quick release bayonet bowl.